

KX15DQ®

15m Digital Quad PIR Detector



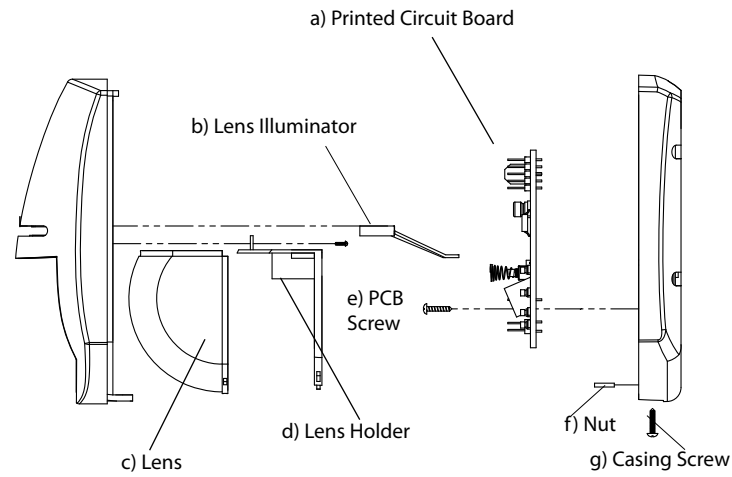
EN50131-2-2:2008
EN50131-1
PD6662:2010
Security Grade 2
Environmental Class II



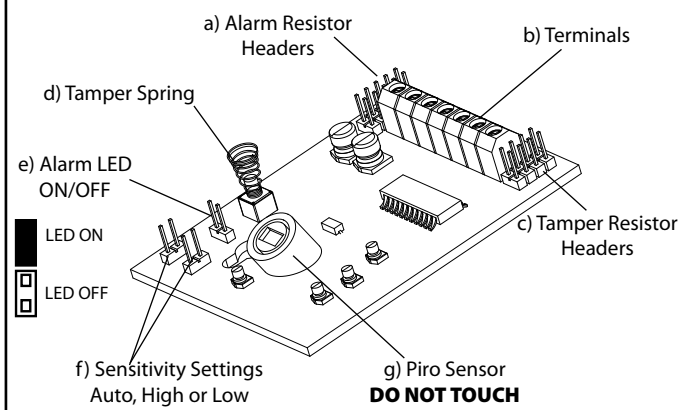
RINS1039-6



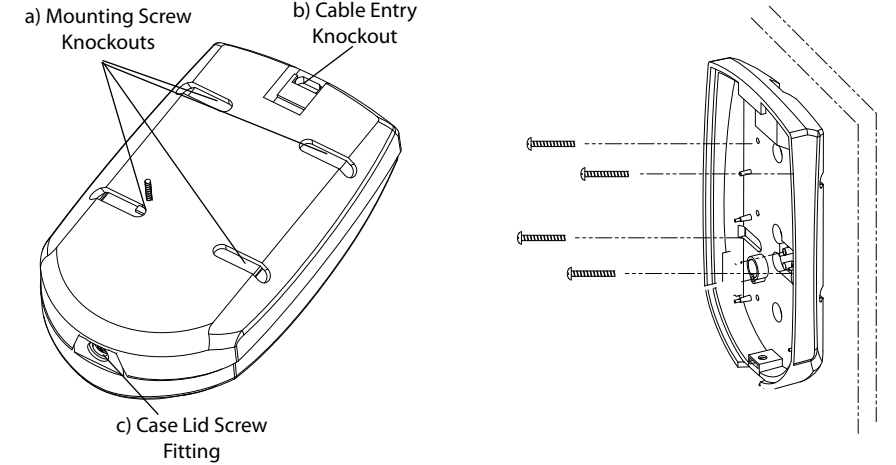
1: Disassembling the KX



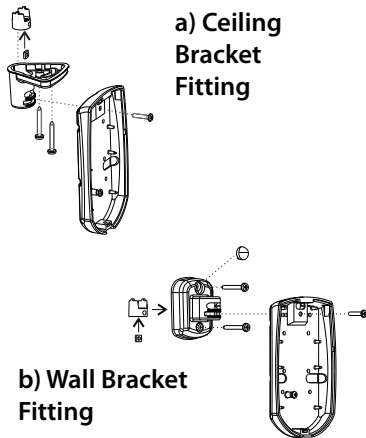
2: The Printed Circuit Board



3: Cable Entry + Mounting



4: Bracket Connections



5: Installation Hints

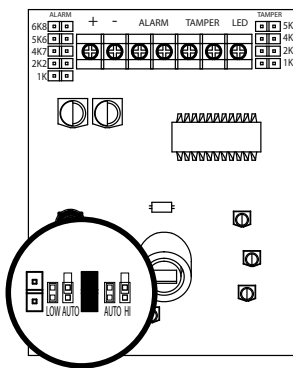
Do not partially or completely obscure the detector's field of view with large objects such as furniture.

Avoiding False Alarms

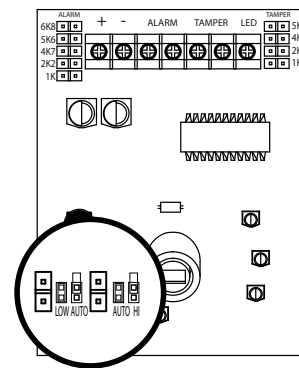
1. Avoid placing the detector in direct sunlight.
2. Do not let pets and other animals wander freely whilst the alarm system is armed.
3. Do not mount the detector near heaters or radiators.
4. Do not mount the detector near open windows or air vents as draughts may cause false alarms
5. Mount the detector on a stable surface.
6. Do not run cable parallel to mains wiring.

6: Sensitivity Settings

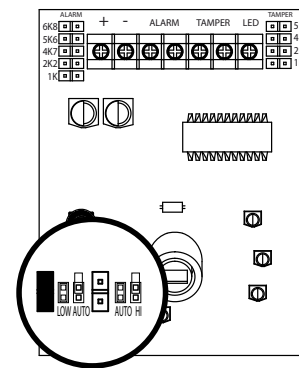
a) Auto Sensitivity (Default)



b) High Sensitivity



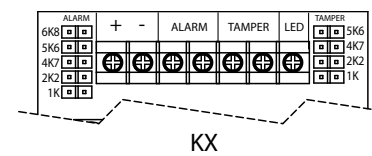
c) Low Sensitivity



7: EOL Resistor Headers

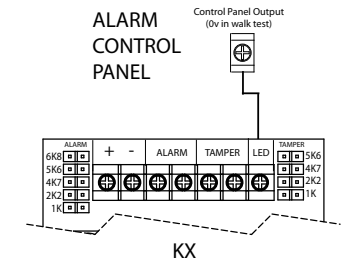
The KX15DQ has 2 set of header pins at the top of the printed circuit board. These headers are used to select the End of Line resistance for EOL wiring applications.

If EOL wiring is not used, leave the headers OFF.



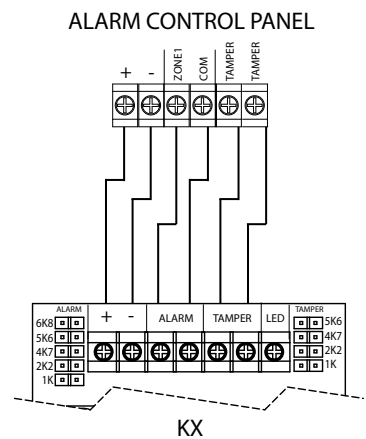
8: Remote LED Enable

The KX15DQ has a terminal marked 'LED' which can be used to enable the LED in walk test only on an alarm control panel. This is used when the LED is disabled via the LED ON/OFF link. To enable this feature, the LED terminal needs to be connected to an output on the control panel. When the system is in walk test mode the output should be at 0v. The output would be usually programmed as 'Remote LED enable'

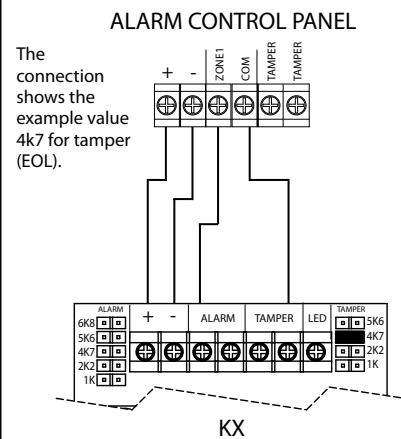


9: Choose the Connection Type:

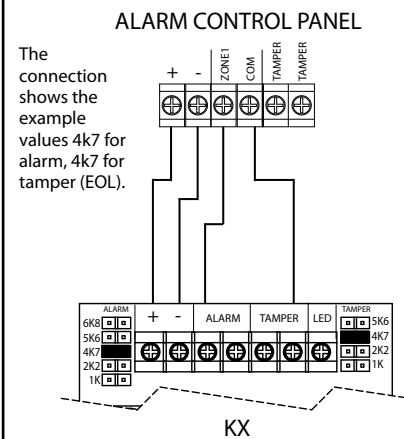
a) Normally Closed



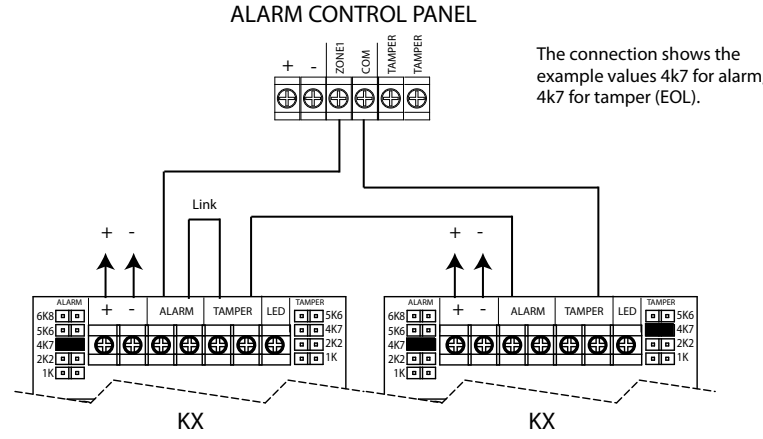
b) Single End of Line Wiring



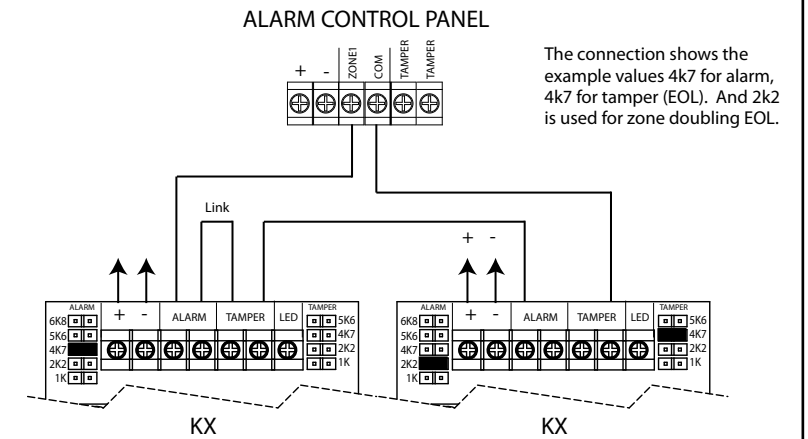
c) Double End of Line Wiring



d) Two Double End of Line Detectors to One Input

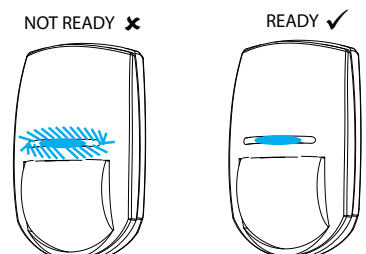


e) Zone Doubling Example (For Matrix 424, 832, 832+)

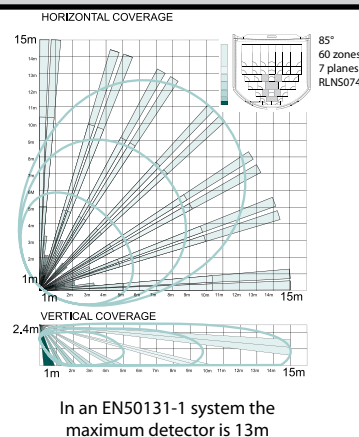


10: Powering Up

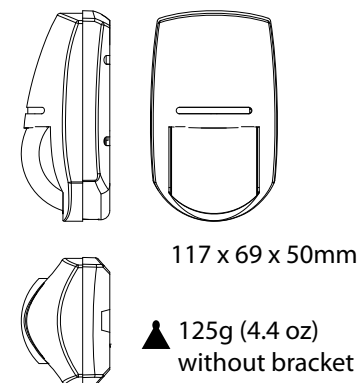
When the detector is first powered up, it will run through a self-test routine, indicated by the flashing BLUE LED. Once this has distinguished the detector is ready to use.



11: The 15m Volumetric Lens



12: Dimensions and Weight



13: Technical Specification

Model: KX15DQ
Colour: White
LED Colour: Blue (PIR)
Casing: 3mm ABS, 0.4mm HDPE in Lens Area
Detection Method: Digital Quad Signal Processing
PIR Sensitivity: Auto, High or Low
Temperature Comp: Digital
Detection Range: 15m (13m according to EN50131-2-2)
Detection Speed: 0.3 - 3.0m/s
Operating Voltage: 9-16V DC 13.8V DC typical

Current Consumption: 13mA @ 12V (Max), 16mA @ 12V (Min)
Relay Output: 50mA 60 VDC, 42 VAC (RMS)
Contact Resistance: <10ohms
Mounting Height: 1.8m - 2.4m
Tamper Switch: 12V 50mA
Storage Temp: -40°C to 80°C
Certified operating temperature: -10°C to 40°C
Nominal working temperature: -30°C to 70°C
Accessories: Wall and Ceiling brackets
Emissions: EN55022 Class B
Immunity: EN50130-4

14: Compliance and Warranty



This product is approved for use in the Residential, Commercial and Light Industrial Environment. It complies with EN50131-2-2:2008 at security grade 2, environmental class II. UK = Suitable for use with systems installed to PD6662:2010. EXPORT = Suitable for use with systems installed to EN50131-1:2006:A1:2009

WARRANTY: This product is sold subject to our standard warranty conditions and is warranted against defects in workmanship for a period of five years. In the interest of continuing improvements of quality, customer care and design, Pyronix Ltd reserves the right to amend specifications without giving prior notice.



Secure Holdings, Pyronix Ltd, Braithwell Way, Hellaby, Rotherham, South Yorkshire S66 8QY
Customer Support: +44(0)845 6434 999 (local rate) or +44(0)1709 535225
Hours: Mon to Fri, 8:00am till 6:30pm
Email: customer.support@pyronix.com
Website: www.pyronix.com

For electrical products sold within the European Community. At the end of the electrical products useful life, it should not be disposed of with household waste. Please recycle where facilities exist. Check with your Local Authority or retailer for recycling advice in your country.