

KX15DT®

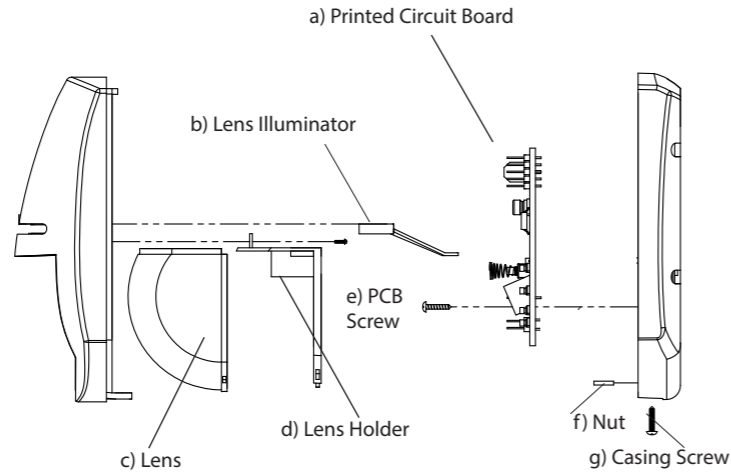
15m Dual Technology Digital Detector



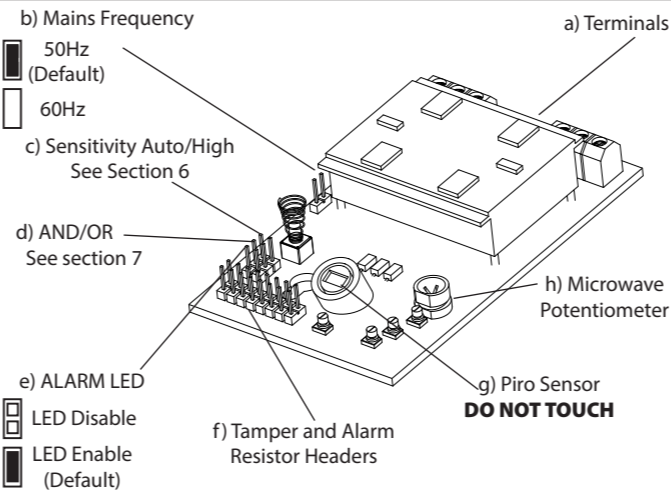
RINS549-12



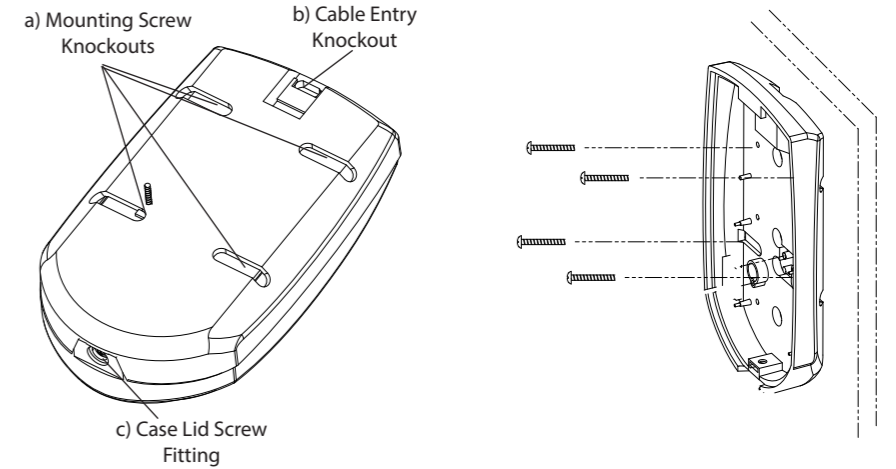
1: Disassembling the KX



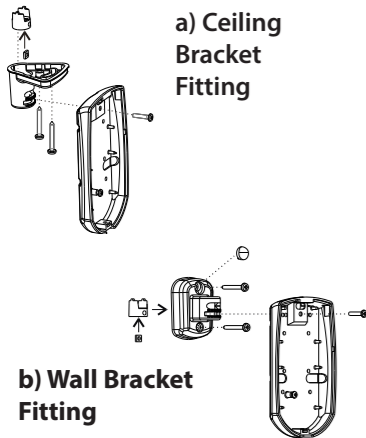
2: The Printed Circuit Board



3: Cable Entry + Mounting



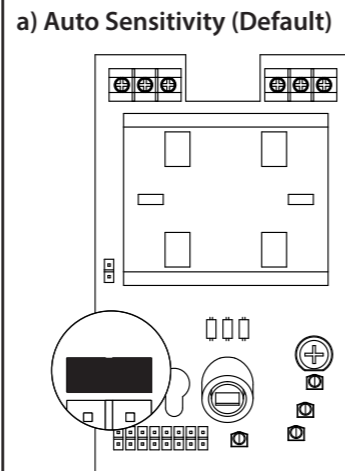
4: Bracket Connections



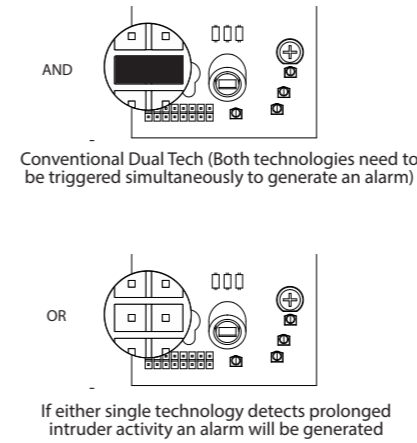
5: Installation Hints

- Do not partially or completely obscure the detector's field of view with large objects such as furniture.
- Avoiding False Alarms**
1. Avoid placing the detector in direct sunlight.
 2. Do not let pets and other animals wander freely whilst the alarm system is armed.
 3. Do not mount the detector near heaters or radiators.
 4. Do not mount the detector near open windows or air vents as draughts may cause false alarms
 5. Mount the detector on a stable surface.
 6. Do not run cable parallel to mains wiring.

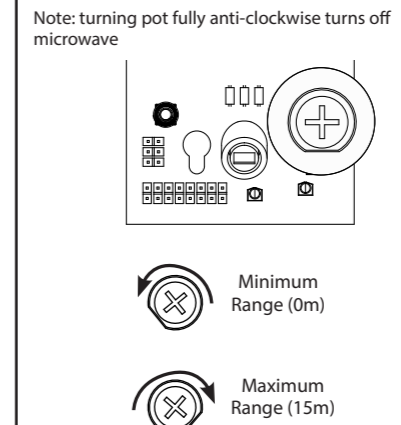
6: Sensitivity Settings



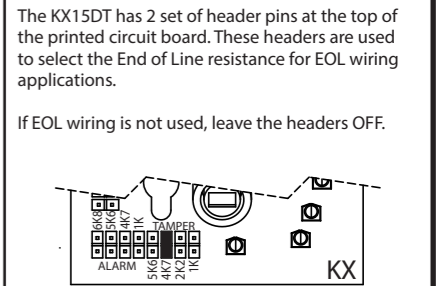
7: AND/OR Mode



8: Microwave Potentiometer

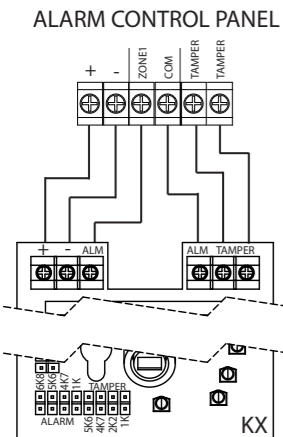


9: EOL Resistor Headers

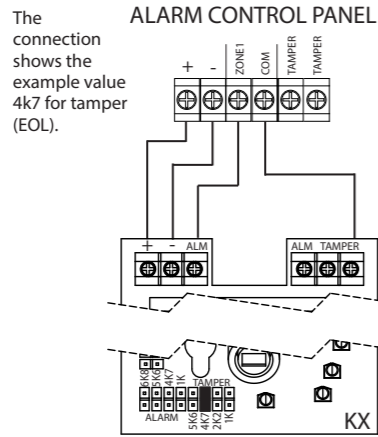


10: Choose the Connection Type:

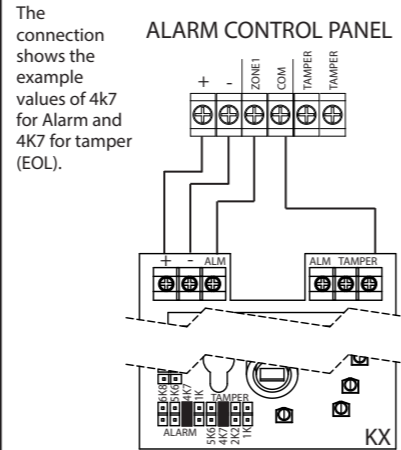
a) Normally Closed



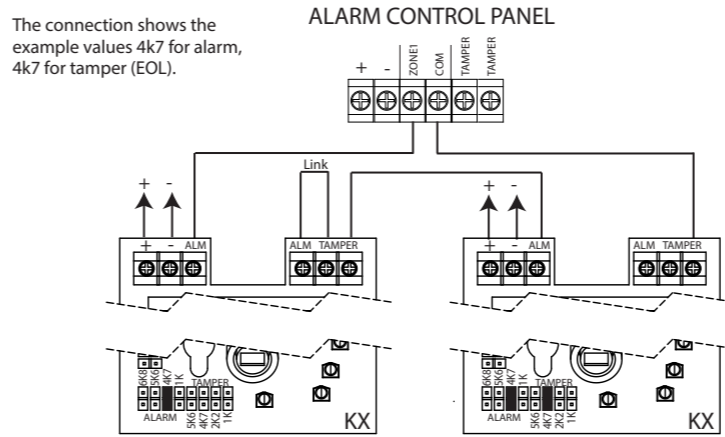
b) Single End of Line Wiring



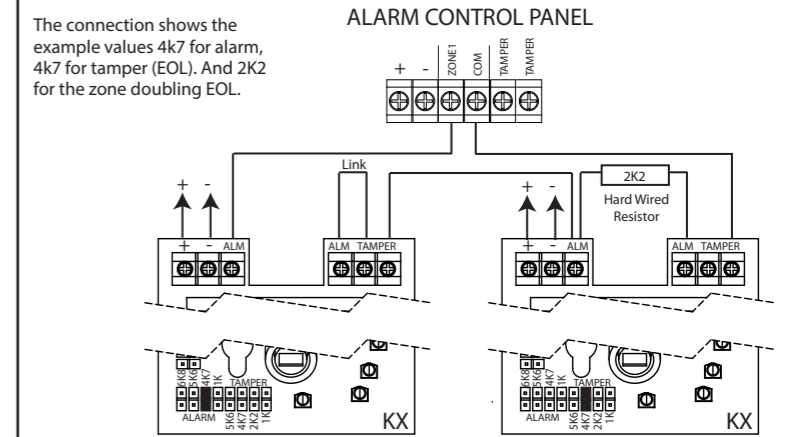
c) Double End of Line Wiring



d) Two Double End of Line Detectors to One Input

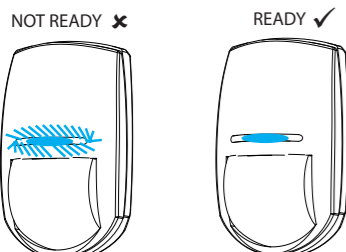


e) Zone Doubling Example (For Matrix 424, 832, 832+)

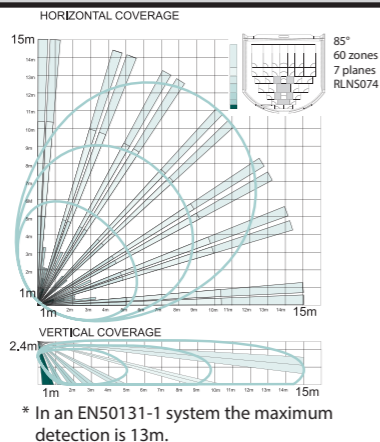


11: Powering Up

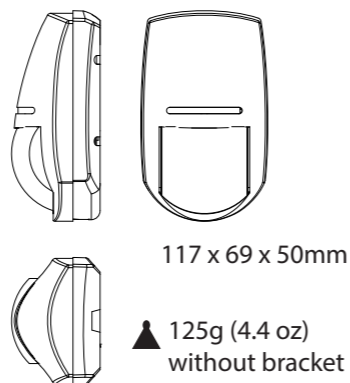
When the detector is first powered up, it will run through a self-test routine, indicated by the flashing LEDs. Once this has distinguished the detector is ready to use.



12: The 15m Volumetric Lens



13: Dimensions and Weight



14: Technical Specification

Model: KX15DT
Colour: White
LED Colours: Orange (Microwave), Blue (Alarm), Green (PIR)
Casing: 3mm ABS, 0.4mm HDPE in Lens Area
Detection Method: Low noise dual element pyroelectric sensor and Microwave Doppler Sensor
PIR Sensitivity: Auto or High
Temperature Comp: Digital
Detection Range: 15m (13m according to EN 50131-2-4)
Detection Speed: 0.3 - 3.0m/s
Operating Voltage: 9-16V DC 13.8V DC typical

Current Consumption: 24mA @ 12V (Min), 30mA @ 12V (Max)
Relay Output: 50mA 60 VDC, 42 VAC (RMS)
Contact Resistance: <10ohms
Mounting Height: 1.8m - 2.4m
Tamper Switch: 12V 50mA
Storage Temp: -40°C to 80°C
Certified operating temperature: -10°C to 40°C
Nominal working temperature: -30°C to 70°C
Accessories: Wall and Ceiling brackets
Emissions: EN55022 Class B
Immunity: EN50130-4

15: Compliance and Warranty



This product is approved for use in the Residential, Commercial and Light Industrial Environment. It complies with EN50131-2-4:2008 at security grade 2, environmental class 2. UK = Suitable for use with systems installed to PD6662:2010. EXPORT = Suitable for use with systems installed to EN50131-1:2006+A1:2009

WARRANTY: This product is sold subject to our standard warranty conditions and is warranted against defects in workmanship for a period of five years. In the interest of continuing improvements of quality, customer care and design, Pyronix Ltd reserves the right to amend specifications without giving prior notice.

16: Contact Information

Pyronix Secure Holdings, Pyronix Ltd, Braithwell Way, Hellaby, Rotherham, South Yorkshire S66 8QY

Customer Support:
 +44(0)845 6434 999 (local rate)
 or +44(0)1709 535225

Hours: Mon to Fri, 8:00am till 6:30pm
 Email: customer.support@pyronix.com
 Website: www.pyronix.com

For electrical products sold within the European Community. At the end of the electrical products useful life, it should not be disposed of with household waste. Please recycle where facilities exist. Check with your Local Authority or retailer for recycling advice in your country.