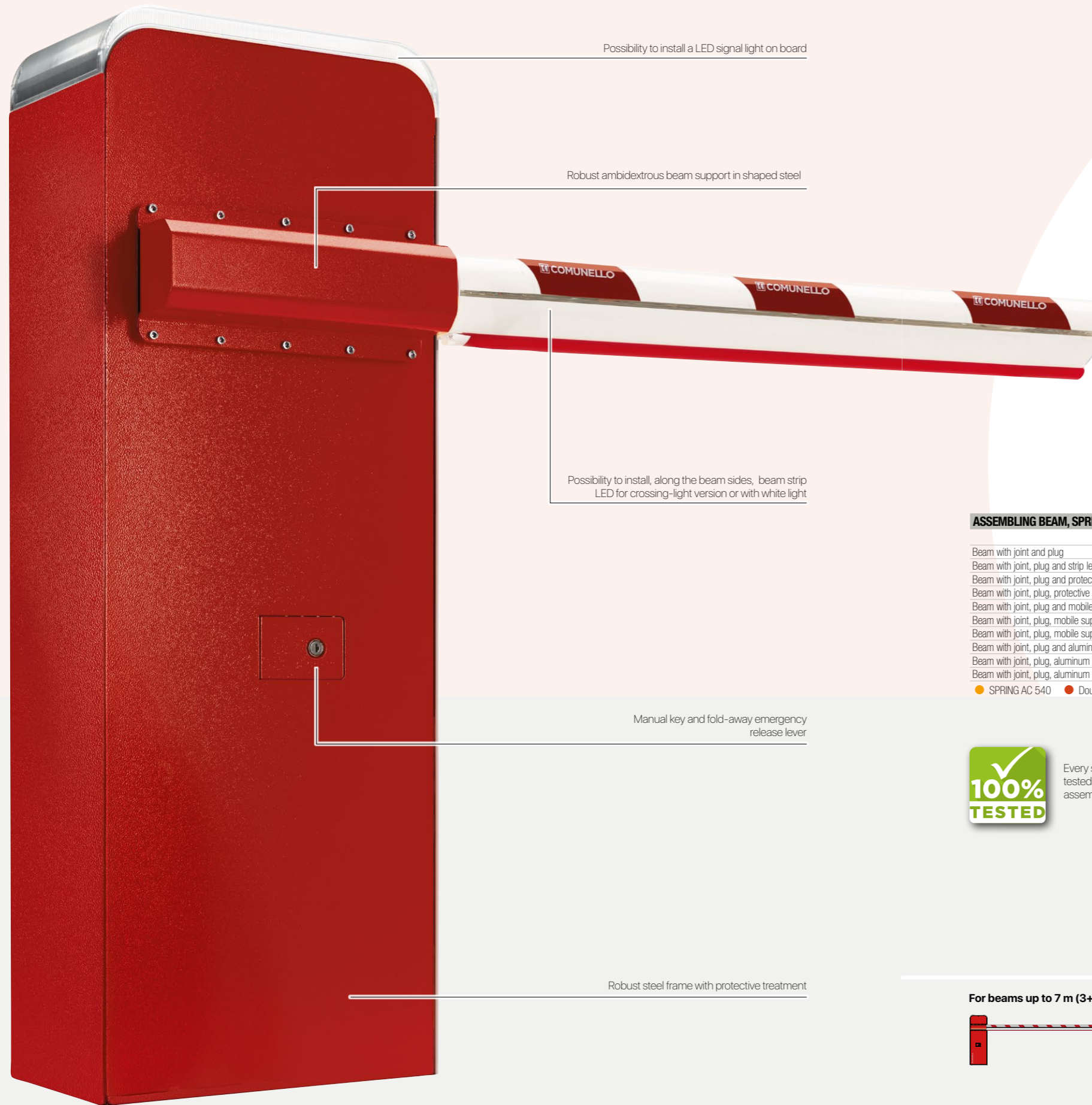


LIMIT 800

up to 8m beam



ASSEMBLING BEAM, SPRING CHOICE AND BALANCE

LENGTH

	6,00	6,50	7,00	7,50	8,00
Beam with joint and plug	●	●	●	●	●
Beam with joint, plug and strip led	●	●	●	●	●
Beam with joint, plug and protective rubbers	●	●	●	●	●
Beam with joint, plug, protective rubbers and strip led	●	●	●	●	●
Beam with joint, plug and mobile support	●	●	●	●	●
Beam with joint, plug, mobile support and strip led	●	●	●	●	●
Beam with joint, plug, mobile support, strip led and protective rubbers	●	●	●	●	●
Beam with joint, plug and aluminum skirt	●	●	●	●	●
Beam with joint, plug, aluminum skirt and strip led	●	●	●	●	●
Beam with joint, plug, aluminum skirt, strip led and mobile support	●	●	●	●	●

● SPRING AC 540 ● Double SPRING AC 550

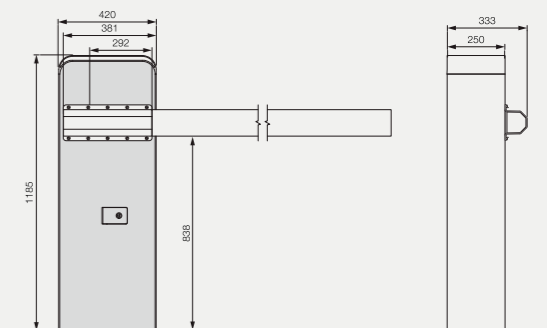


Every single product is duly tested at the end of each assembly line

TECHNICAL FEATURES

	LIMIT 800 24V
Power supply	230 VAC
Motor power supply	24 VDC
Power consumption	150 W
Current input	6,2 A
Torque	300 Nm
Duty cycle	Intensive use
Protection rating (IP)	IP44
Insulation class	2
Working temperature	-20°C / +50°C

DIMENSIONS (mm)



For beams up to 7 m (3+4 m) and up to 8 m (4+4 m)



For beams up to 10/16 m

