

Mountera® Ceiling Bracket

Mountera® bracket for installation of camera systems on ceilings

The innovative **Mountera® Quick-Lock System** is a completely new concept for **quick and easy installation** of the latest camera and Panomera® systems. The Mountera® system consistently continues the **elegant design line** of the camera systems, allowing visually appealing and yet **robust installations without visible cables**. The comprehensive system offers a wide range of **mounting options** and, in combination with the power supply or recording on site, it is also attractive for its **discreet installation that is reduced to the essentials**.



Plug-Adjust-Lock

The innovative Mountera® Ceiling Bracket is equipped with the specially developed Mountera® Lock. After the bracket has been installed, the camera system can be clicked in safely with its Mountera® Plug and optimally aligned at a horizontal angle of 170°. The final locking is made just as easy with one adjusting screw only.

Internal Cable Routing

The internal cable routing of the bracket provides sufficient space for all necessary cables and the mandatory safety cable of the camera system. At the transition between the camera system and the bracket, the entire cabling is covered by the weatherproof Mountera® sleeve. This makes the entire system stand out due to its harmonious and safe appearance without any visible cables.

Finish

Like the camera systems, the Mountera® Ceiling Bracket is made of torsion resistant and robust aluminium. Its chromated surface has a signal white (RAL 9003) powder coating, which has been tested for seawater resistance according to DIN EN 60068-2.

Compatibility

The Mountera® Ceiling Bracket is compatible with all camera and Panomera® systems equipped with the Mountera® Plug.

Mountera® Box Adapter

Each Mountera® Box comes with a special base plate that allows the Mountera® Ceiling Bracket to be mounted directly onto the box. The base plates can be replaced quickly and easily with just four screws.

Scope of Delivery

- Mountera® Ceiling Bracket
- Mountera® Lock included
- 4x loss-proof screw covers
- 4x screws
- 4x dowels

Bracket

006980



Mountera® Ceiling Bracket

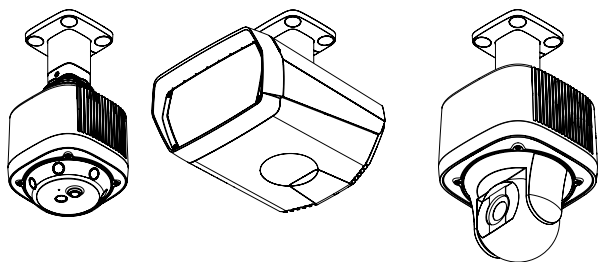
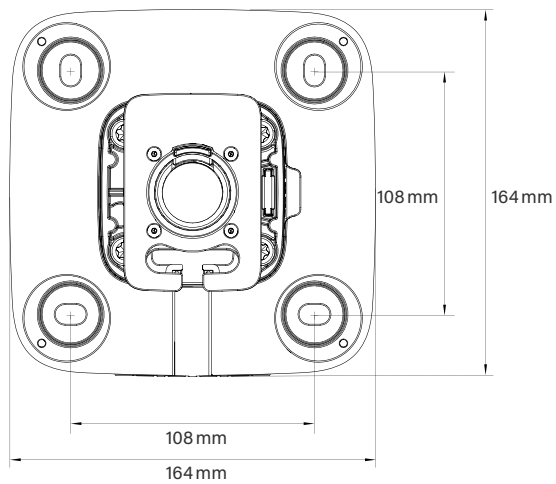
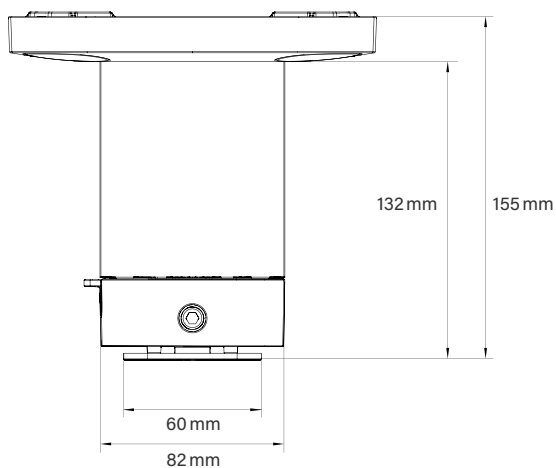
Mountera® bracket for installation of camera systems on ceilings, Quick-Lock System included, robust aluminium construction, internal cable routing, vandal-resistant, powder-coated, height 150 mm, white

Mountera® Ceiling Bracket

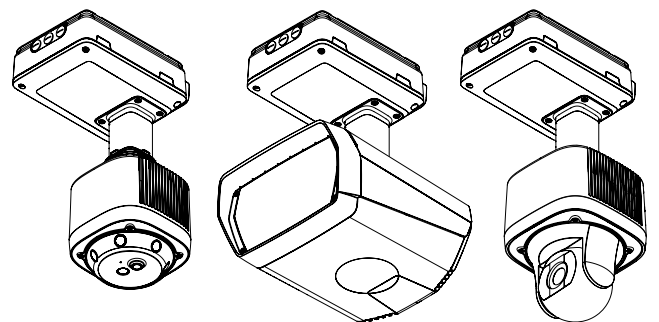
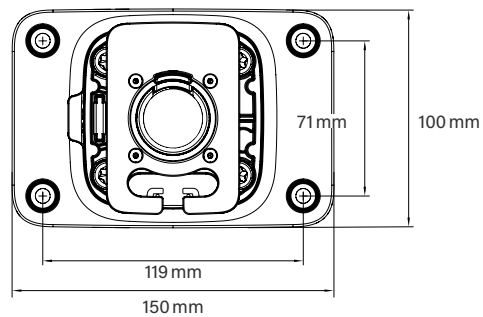
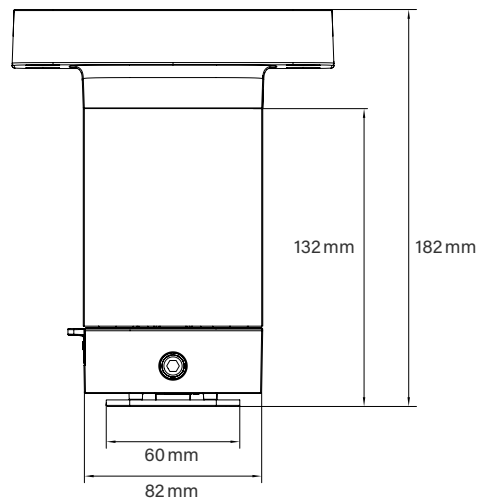
Mountera® bracket for installation of camera systems on ceilings

Technical Data	
Dimensions (W × H × D)	Approx. 164 × 155 × 164 mm (6.5" × 6.1" × 6.5")
Weight	Approx. 1.5 kg (3.3 lb)
Material	Aluminium
Processing	Chromated
Finish	Powder coating, tested for seawater resistance according to DIN EN 60068-2
Color	Signal white (RAL 9003 ¹⁾)
Load capacity	Up to 25 kg (55 lb)

Mountera® Ceiling Bracket



Mountera® Ceiling Bracket with box adapter



1) The color of the powder coating may differ slightly from the RAL color indicated. This is due to production and does not constitute a defect.

Dallmeier electronic GmbH & Co.KG | Bahnhofstr. 16, 93047 Regensburg, Germany | +49 941 8700-0 | dallmeier.com

All trademarks identified by * are registered trademarks of Dallmeier electronic GmbH & Co.KG.

Third-party trademarks are named for information purposes only. Dallmeier electronic respects the intellectual property of third parties and always attempts to ensure the complete identification of third-party trademarks and indication of the respective holder of rights. In case that protected rights are not indicated separately, this circumstance is no reason to assume that the respective trademark is unprotected.

Specifications subject to change without notice. Errors and misprints excepted. Pictures may differ from the actual product.