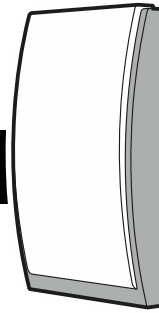




MSP-300

WIRELESS OUTDOOR SIREN



CE 1471

msp-300_en 02/16

The MSP-300 wireless siren provides information about alarm situations by means of optical and acoustic signaling. The siren works with the MTX-300 controller.

1. Features

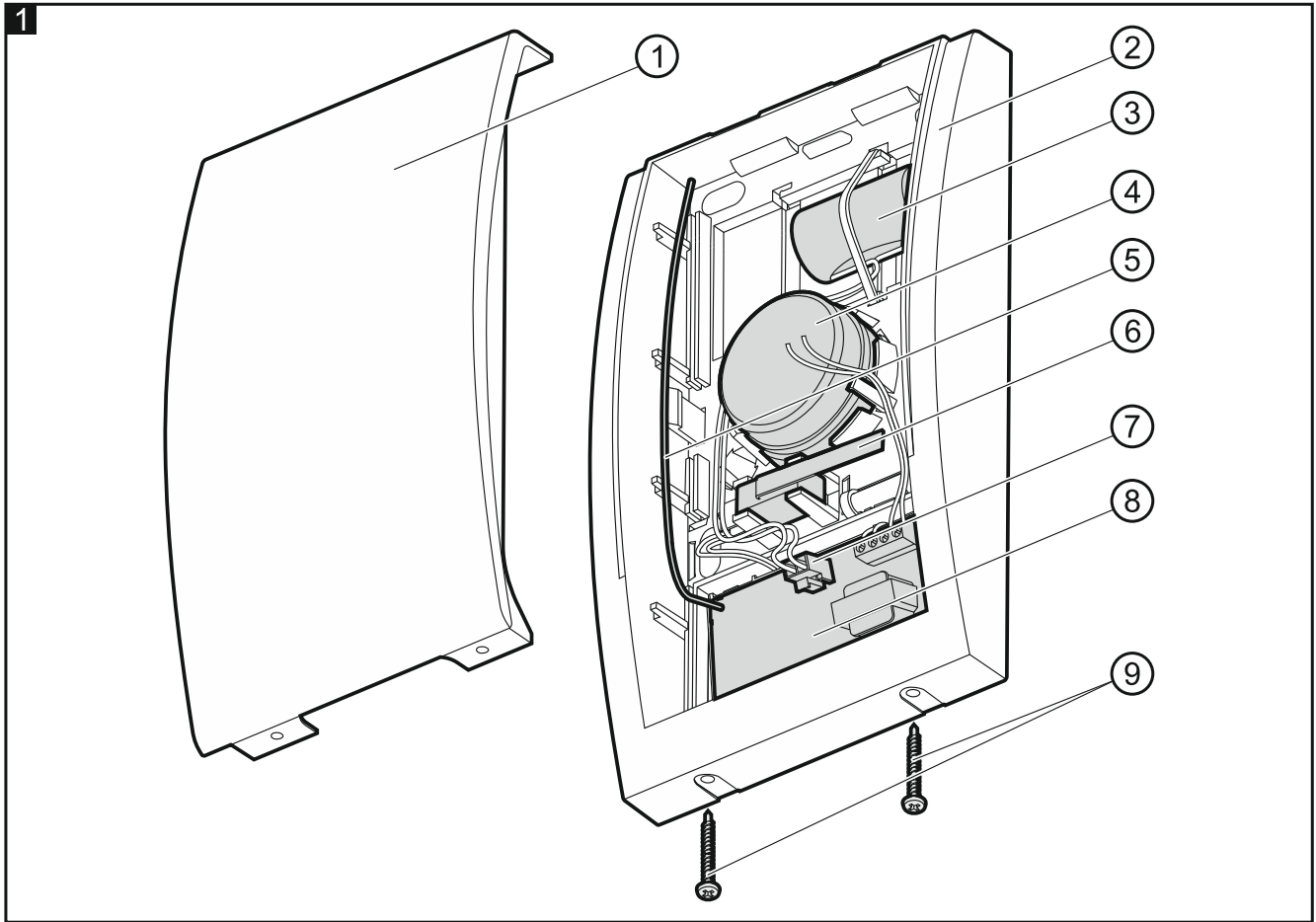
- Two-way encrypted radio communication using 433 MHz band.
- Acoustic signaling by means of piezoelectric transducer.
- Optical signaling by means of LEDs.
- Remote configuration.
- Power supply from 3.6 V lithium thionyl chloride battery.
- Battery status control.
- Weatherproofed electronic circuit.
- Tamper protection against cover removal and tearing enclosure from the wall.
- High-impact polycarbonate enclosure, featuring a very high mechanical strength.

2. Specifications

| | |
|--|-----------------------|
| Operating frequency band | 433.05 ÷ 434.79 MHz |
| Radio communication range (in open area) | up to 400 m |
| Battery | ER34615 3.6 V / 13 Ah |
| Battery life expectancy..... | up to 3 years |
| Standby current consumption..... | 0.6 mA |
| Maximum current consumption | 500 mA |
| Sound pressure level (at 1 m distance)..... | up to 105 dB |
| Environmental class according to EN50130-5 | IIIA |
| Operating temperature range | -40°C ...+55°C |
| Maximum humidity..... | 93±3% |
| Dimensions | 148 x 254 x 64 mm |
| Weight..... | 820 g |

Hereby, SATEL sp. z o.o., declares that this siren is in compliance with the essential requirements and other relevant provisions of Directive 1999/5/EC. The declaration of conformity may be consulted at www.satel.eu/ce

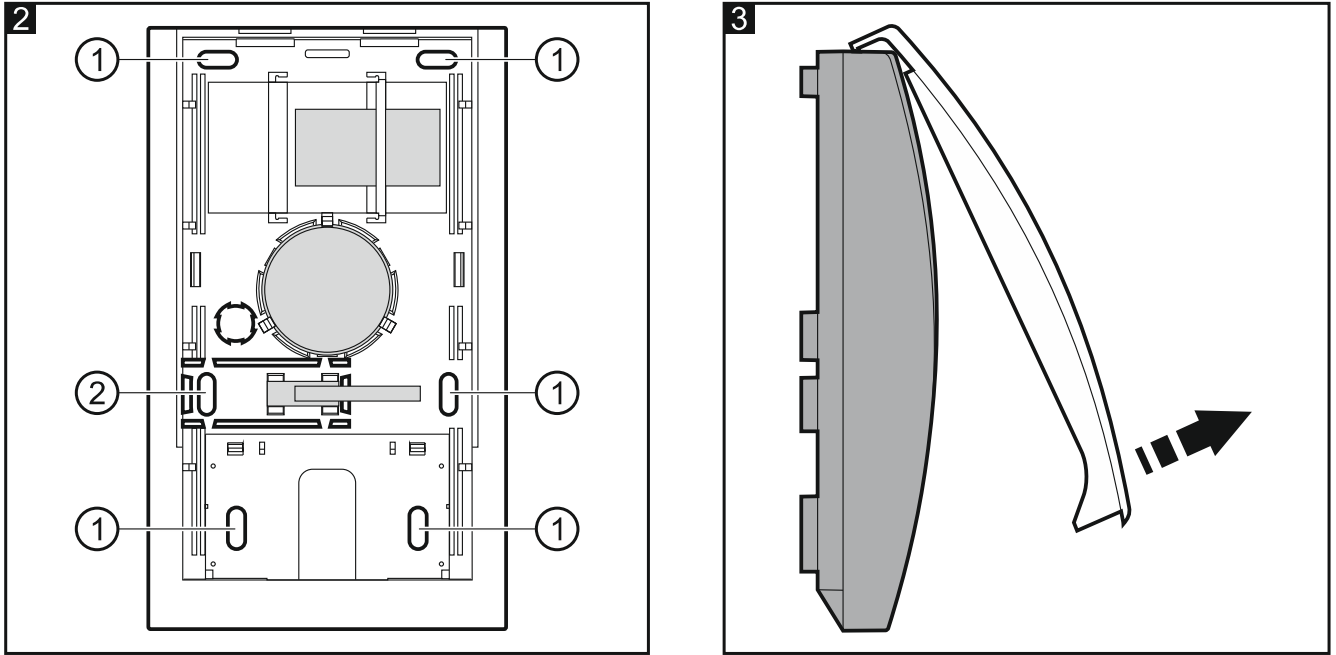
3. Description



Explanations for Fig. 1:

- ① enclosure cover.
- ② enclosure base.
- ③ battery.
- ④ piezoelectric transducer.
- ⑤ antenna.
- ⚠ **Never shorten or deform the antenna.**
- ⑥ tamper switch (tamper alarm triggered if open).
- ⑦ battery connector.
- ⑧ electronics module.
- ⑨ cover locking screws.

Enclosure base



Explanations for Fig. 2:

- ① mounting hole.
- ② tamper mounting hole.

Triggering the alarm signaling

The alarm signaling is triggered:

- on receiving a radio command from the controller;
- on opening the tamper switch.

Alarm signaling triggered by radio

The command sent by the controller contains information about what signaling is to be triggered (whether the optical signaling is to be triggered, what type of acoustic signaling is to be triggered, etc.). The signaling will stop after respective command is received from the controller or, automatically, after the “Maximum signaling time” has elapsed. This parameter is programmed individually for each siren registered in the MTX-300 controller (see the MTX-300 controller manual).

Alarm signaling triggered by opening tamper switch

Opening the tamper switch triggers optical and acoustic signaling (sound A – two sound frequencies (1450 Hz/2100 Hz) alternately for a period of 1 second). The signaling will last during the “Maximum signaling time”.

Opening the tamper switch will not trigger any signaling in the following cases:

- after connecting the battery – tamper alarm signaling will only be unblocked after the standby mode entering command is received from the controller, provided that the tamper switch has been closed for 30 seconds, (the standby mode entering command is sent by the controller after ending the service mode / communication with the MTX SOFT program, or after restart),
- when the controller is running in service mode or communication with the MTX SOFT program is in progress (the controller sends the tamper alarm blocking command to the sirens).

The tamper alarm blocking is indicated by the leftmost LED (a short flash every 10 seconds).

Note: *The tamper / tamper restore information is always sent to the controller (also when the tamper alarm is blocked).*

Periodic transmissions

Every 15 minutes, the siren sends a transmission with information on the current status of the tamper switch and battery. Periodic transmissions are used to monitor presence and operation of the siren.

Power supply

The siren is powered from a 3.6 V lithium thionyl chloride battery. It is a high-current battery, characterized by high capacity. The battery is offered by SATEL.



There is a danger of battery explosion when using a different battery than recommended by the manufacturer, or handling the battery improperly.

Be particularly careful during installation and replacement of the battery. The manufacturer is not liable for the consequences of incorrect installation of the battery.

The used batteries must not be discarded, but should be disposed of in accordance with the existing rules for environment protection.

Given the specific nature of the battery, it must be properly initialized to reach the required performance. Therefore, when connecting a new battery, always follow the procedure below:

- 1. Press and hold down the tamper switch.**
- 2. Connect the new battery.**
- 3. When the leftmost LED on the siren starts blinking every second, release the tamper switch.**

Blinking of the leftmost LED indicates that the first phase of battery initialization is in progress. After 5 minutes, when this phase is completed, the siren is ready for work. The second phase of battery initialization lasts 3 hours, without however limiting functionality of the siren. This phase is signaled by two flashes every 30 seconds.

4. Installation and start-up

The siren must be installed on the wall, high above the floor, at a hard to access location, so as to minimize the risk of tampering. Make sure that some free space is left above the siren (at least 2.5 cm). Otherwise, it will be impossible to replace the cover.

1. Remove the cover locking screws.
2. Lift up the enclosure cover by approx. 60° and remove it (see Fig. 3).
3. Connect the battery and register the siren in the MTX-300 controller (see the MTX-300 manual).

Note: *The battery is to be connected just before installing the siren.*

4. Replace the siren cover.
5. Fasten the siren temporarily at the place of its future installation.
6. Make sure that transmissions from the siren reach the controller and check the level of radio signal (see the MTX-300 manual). In order to send a transmission, open the tamper switch of the siren. If the transmission fails to be received or the signal level is lower than 40%, select another installation place and repeat the test.
7. Remove the siren cover.
8. Disconnect the battery.
9. Move aside the catches holding the electronics module and remove it.
10. Place the enclosure base on the wall and mark the location of mounting holes (see Fig. 2). Be sure to take into account the tamper mounting hole.
11. Drill the holes for wall plugs (screw anchors).
12. Secure the enclosure base to the wall with wall plugs (screw anchors) and screws. Remember about the tamper mounting hole. The wall plugs (screw anchors) and screws delivered with the siren are intended for brick, concrete and similar mounting surfaces. For other surfaces (e.g. drywall, wood, styrofoam), use other wall plugs (screw anchors), as required.
13. Secure the electronics module in the enclosure base.
14. Connect the battery.
15. Replace the siren cover and fasten it with screws.
16. In order to test the siren, you can make use of the functions available in MTX SOFT program.