

MV-CH120-20UM

12 MP 1" CMOS USB3.0 Area Scan Camera



GEN*i*CAM

USBTM
VISION

Introduction

MV-CH120-20UM camera adopts OnSemi XGS12000 sensor to provide high-quality images. It uses USB3.0 interface to transmit images in real time, and its max. frame rate can reach 28 fps in full resolution.

Key Feature

- Supports auto or manual adjustment for gain and exposure time, and manual adjustment for LUT and Gamma correction.
- Compact design with mounting holes on panels for flexible mounting from 4 sides.
- Supports hardware trigger, software trigger and free run mode.
- Compatible with USB3 Vision Protocol, GenICam Standard, and the third-party software based on these protocol and standard.

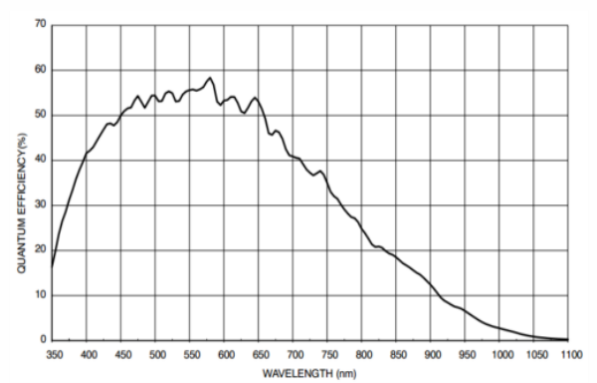
Available Model

MV-CH120-20UM

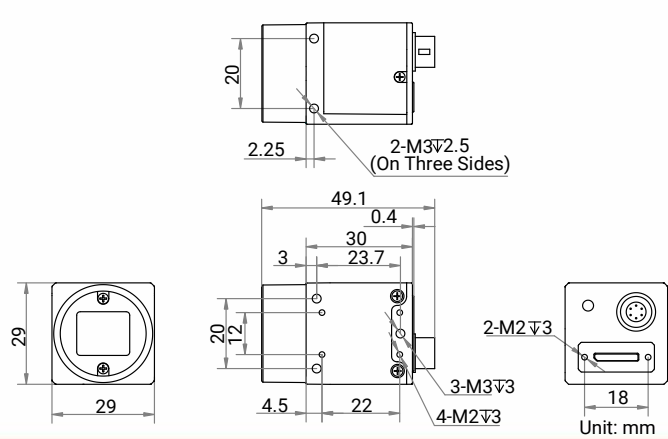
Applicable Industry

Electronic semiconductor, factory automation, logistics, etc.

Sensor Quantum Efficiency



Dimension



Specification

Model	MV-CH120-20UM
Performance	
Sensor type	CMOS, global shutter
Sensor model	OnSemi XGS12000
Pixel size	3.2 μm \times 3.2 μm
Sensor size	1"
Resolution	4096 \times 3072
Max. frame rate	28 fps @4096 \times 3072 Mono 8
Dynamic range	68 dB
SNR	40 dB
Gain	0 dB to 18 dB
Exposure time	UltraShort exposure mode: 52 μs to 161 μs Standard exposure mode: 162 μs to 10 sec
Exposure mode	Off/Once/Continuous exposure mode
Mono/color	Mono
Pixel format	Mono 8/10/10Packed/12/12Packed
Binning	Supports 1 \times 1, 2 \times 2, 4 \times 4
Decimation	Supports 1 \times 1, 2 \times 2
Reverse image	Supports horizontal and vertical reverse image output
Electrical feature	
Data interface	USB3.0, compatible with USB2.0
Digital I/O	6-pin P7 connector provides power and I/O, including opto-isolated input \times 1 (Line 0), opto-isolated output \times 1 (Line 1), and bi-directional non-isolated I/O \times 1 (Line 2)
Power supply	9 VDC to 24 VDC, supports USB3.0 power supply
Power consumption	Typ. 2.9 W@5 VDC (USB3.0 provides power supply)
Mechanical	
Lens mount	C-mount
Dimension	29 mm \times 29 mm \times 30 mm (1.1" \times 1.1" \times 1.2")
Weight	Approx. 80 g (0.2 lb.)
Ingress protection	IP40 (under proper lens installation and wiring)
Temperature	Working temperature: -10 $^{\circ}\text{C}$ to 50 $^{\circ}\text{C}$ (14 $^{\circ}\text{F}$ to 122 $^{\circ}\text{F}$) Storage temperature: -30 $^{\circ}\text{C}$ to 70 $^{\circ}\text{C}$ (-22 $^{\circ}\text{F}$ to 158 $^{\circ}\text{F}$)
Humidity	20% to 95% RH, non-condensing
General	
Client software	MVS or third-party software meeting with USB3.0 Vision Protocol
Operating system	32/64-bit Windows XP/7/10, 32/64-bit Linux and 64-bit MacOS
Compatibility	USB3 Vision, GenICam
Certification	CE, RoHS, KC



Hangzhou Hikrobot Co., Ltd.
en.hikrobotics.com