

# MV-CH240-10TM

24 MP CMOS 10 GigE Area Scan Camera



GEN*i*CAM

10GiGE  
VISION

## Introduction

MV-CH240-10TM camera adopts Sony® IMX540 sensor to provide high-quality images with high resolution and low noise. It uses 10 GigE interface to transmit non-compressed data in real time, and its max. frame rate can reach 35.1 fps in full resolution.

## Key Feature

- Resolution of 5328 × 4600, and pixel size of 2.74 μm × 2.74 μm.
- Supports auto or manual adjustment of gain, exposure time, and manual adjustment of Gamma correction, LUT, etc.
- Adopts 10 GigE interface, compatible with GigE, and max. transmission distance of 100 meters.
- Compact design with mounting holes on panels for flexible mounting.
- Compatible with GigE Vision V2.0 Protocol, GenICam Standard, and third-party software based on the protocol and standard.

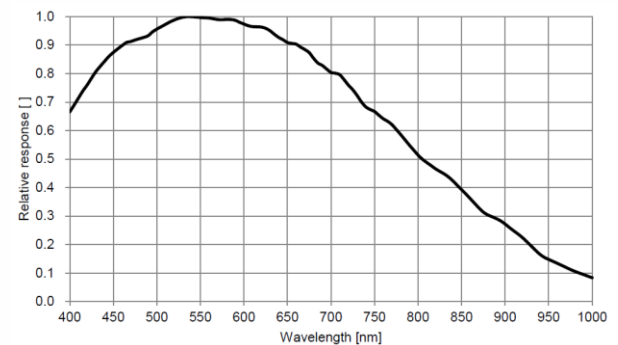
## Available Model

MV-CH240-10TM-C-NN

## Applicable Industry

Consumer electronics, electronics and semiconductor, photovoltaics, railway related application, etc.

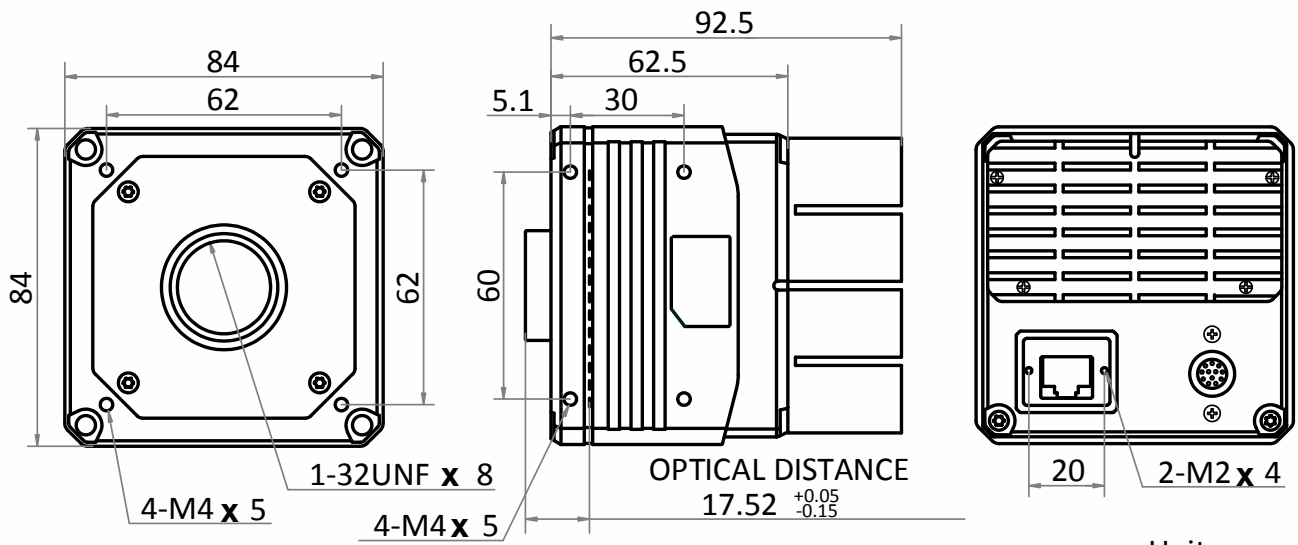
## Sensor Quantum Efficiency



# Specification

<b>Model</b>	<b>MV-CH240-10TM</b>
<b>Camera</b>	
<b>Sensor type</b>	CMOS, global shutter
<b>Sensor model</b>	Sony® IMX540
<b>Pixel size</b>	2.74 μm × 2.74 μm
<b>Sensor size</b>	1.2"
<b>Resolution</b>	5328 × 4600
<b>Max. frame rate</b>	35.1 fps @5328 × 4600
<b>Dynamic range</b>	71 dB
<b>SNR</b>	40 dB
<b>Gain</b>	0 dB to 24 dB
<b>Exposure time</b>	UltraShort exposure mode: 1 μs to 7 μs Standard exposure mode: 8 μs to 10 sec
<b>Exposure mode</b>	Off/Once/Continuous exposure mode
<b>Mono/Color</b>	Mono
<b>Pixel format</b>	Mono 8/10/10Packed/12/12Packed
<b>Binning</b>	Supports 1 × 1, 2 × 2
<b>Decimation</b>	Supports 1 × 1, 1 × 2, 1 × 4, 2 × 1, 2 × 2, 2 × 4, 4 × 1, 4 × 2, 4 × 4
<b>Reverse image</b>	Supports horizontal and vertical reverse image output
<b>Electrical feature</b>	
<b>Data interface</b>	10 Gigabit Ethernet, compatible with Gigabit Ethernet
<b>Digital I/O</b>	12-pin P10 connector provides power and I/O, including opto-isolated input × 1 (Line 0), opto-isolated output × 1 (Line 1), bi-directional non-isolated I/O × 1 (Line 2), RS-232 × 1
<b>Power supply</b>	9 VDC to 24 VDC
<b>Power consumption</b>	Typ. 10 W@12 VDC
<b>Mechanical</b>	
<b>Lens mount</b>	C-mount, flange back focal length: 17.52 mm (0.7")
<b>Dimension</b>	84 mm × 84 mm × 62.5 mm (3.3" × 3.3" × 2.5")
<b>Weight</b>	< 600 g (1.3 lb)
<b>Ingress protection</b>	IP40 (under proper lens installation and wiring)
<b>Temperature</b>	Working temperature: 0 °C to 50 °C (32 °F to 122 °F) Storage temperature: -30 °C to 70 °C (-22 °F to 158 °F)
<b>Humidity</b>	20% to 95% RH, non-condensing
<b>General</b>	
<b>Client software</b>	MVS or third-party software meeting with GigE Vision Protocol
<b>Operating system</b>	32/64-bit Windows 7/10
<b>Compatibility</b>	GigE Vision V2.0, GenICam
<b>Certification</b>	CE, RoHS, KC

## Dimension



Unit: mm

**HIKROBOT**

Hangzhou Hikrobot Co., Ltd.  
en.hikrobotics.com

© Hangzhou Hikrobot Co., Ltd. All Rights Reserved.

Hangzhou Hikrobot does not tolerate any infringement. Any organization or individual may not imitate or reproduce in whole or in part of the content. The data herein is based on Hikrobot's internal evaluation. Actual data may vary depending on specific configuration and operating condition. The information herein is subject to change without notice. All the content has been checked conscientiously. Nevertheless, Hikrobot shall not be liable to damages resulting from errors, inconsistencies or omissions.