

MV-CH250-90UM/UC

25 MP 1.1" CMOS USB3.0 Area Scan Camera



GEN*i*CAM

USBTM
VISION

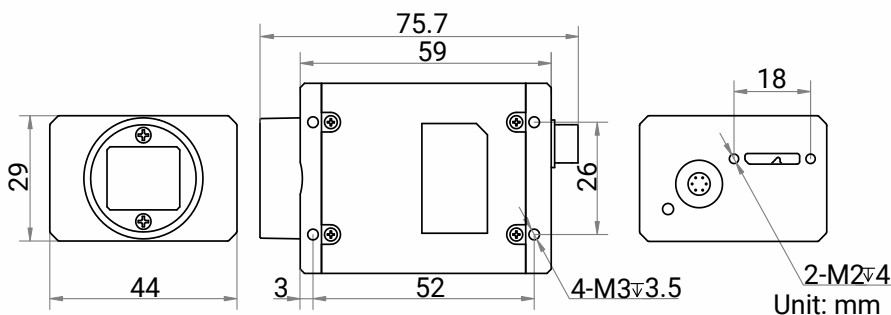
Introduction

MV-CH250-90UM/UC camera adopts Gpixel GMAX0505 sensor to provide high-quality images. It uses USB3.0 interface to transmit non-compressed images in real time, and its max. frame rate can reach 14 fps in full resolution.

Key Feature

- Resolution of 5120 × 5120, pixel size of 2.5 μm × 2.5 μm.
- Supports LSC correction, binning, image reverse, etc.
- Supports hardware trigger, software trigger, and free run.
- Compatible with USB3 Vision Protocol, GenICam Standard, and the third-party software based on the protocol and standard.

Dimension



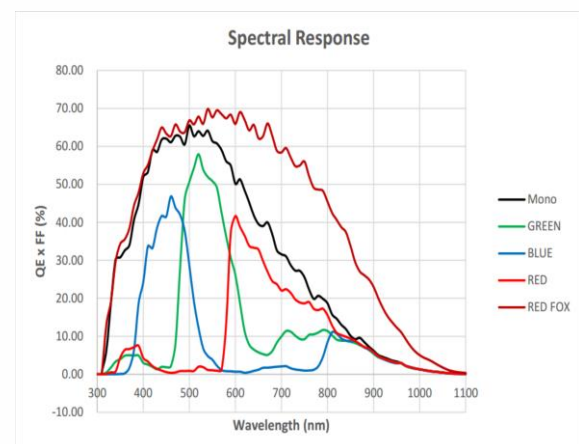
Available Model

- Mono camera: MV-CH250-90UM
- Color camera: MV-CH250-90UC

Applicable Industry

SMT/ PCB AOI, FPD, photovoltaic related applications, etc.

Sensor Quantum Efficiency



Specification

Model	MV-CH250-90UM	MV-CH250-90UC
Performance		
Sensor type	CMOS, global shutter	
Sensor model	Gpixel GMAX0505	
Pixel size	2.5 μm \times 2.5 μm	
Sensor size	1.1"	
Resolution	5120 \times 5120	
Max. frame rate	14 fps @5120 \times 5120 Mono 8	14 fps @5120 \times 5120 Bayer BG 8
Dynamic range	65 dB	
SNR	36 dB	
Gain	Supports 2.0 \times , 2.5 \times , 3.0 \times , 3.5 \times , 4.0 \times , 4.5 \times , 5.0 \times	
Exposure time	12 μs to 10 sec	
Exposure mode	Off/Once/Continuous exposure mode	
Mono/color	Mono	Color
Pixel format	Mono 8/10/10Packed/12/12Packed	Mono 8/10/12, Bayer BG 8/10/10Packed/12/12Packed, YUV422Packed, YUV422_YUYV_Packed, RGB 8, BGR 8
Binning	Supports 1 \times 1, 2 \times 2, 4 \times 4	
Decimation	Supports 1 \times 1, 2 \times 2, 4 \times 4	
Reverse image	Supports horizontal and vertical reverse image output	
Electrical feature		
Data interface	USB3.0, compatible with USB2.0	
Digital I/O	6-pin P7 connector provides power and I/O, including opto-isolated input \times 1 (Line 0), opto-isolated output \times 1 (Line 1), bi-directional non-isolated I/O \times 1 (Line 2).	
Power supply	12 VDC to 24 VDC, supports USB3.0 power supply	
Power consumption	Typ. 3.6 W@5 VDC (USB3.0 provides power supply)	
Mechanical		
Lens mount	C-mount	
Dimension	29 mm \times 44 mm \times 59 mm (1.1" \times 1.7" \times 2.3")	
Weight	Approx. 100 g (0.2 lb.)	
Ingress protection	IP30 (under proper lens installation and wiring)	
Temperature	Working temperature: -10 $^{\circ}\text{C}$ to 50 $^{\circ}\text{C}$ (14 $^{\circ}\text{F}$ to 122 $^{\circ}\text{F}$) Storage temperature: -30 $^{\circ}\text{C}$ to 70 $^{\circ}\text{C}$ (-22 $^{\circ}\text{F}$ to 158 $^{\circ}\text{F}$)	
Humidity	20% to 95% RH, non-condensing	
General		
Client software	MVS or third-party software meeting with USB3 Vision Protocol	
Operating system	32/64-bit Windows XP/7/10, 32/64-bit Linux and 64-bit MacOS	
Compatibility	USB3 Vision, GenICam	
Certification	CE, RoHS, KC	

HIKROBOT

Hangzhou Hikrobot Co., Ltd.
en.hikrobotics.com

© Hangzhou Hikrobot Co., Ltd. All Rights Reserved.
Hangzhou Hikrobot does not tolerate any infringement. Any organization or individual may not imitate or reproduce in whole or in part of the content. The data herein is based on Hikrobot's internal evaluation. Actual data may vary depending on specific configuration and operating condition. The information herein is subject to change without notice. All the content has been checked conscientiously. Nevertheless, Hikrobot shall not be liable to damages resulting from errors, inconsistencies or omissions.