

# MV-CL042-91CM

4096 P Camera Link Line Scan Camera



GEN*i*CAM



## Introduction

MV-CL042-91CM camera adopts CMOS sensor to provide high quality images and uses Camera Link interface to transmit images in real time. It adopts multiple ISP technologies, and supports external trigger modes like line trigger, frame trigger, and trigger-width exposure.

## Key Feature

- Supports multiple exposure and image acquisition methods with max. line rate of 100 kHz.
- Applies multiple ISP technologies and supports manual adjustment for Gamma correction, PRNUC correction, LUT, black level, etc.
- Supports bi-directional I/O wiring for flexible input/output settings.
- Compact design and flexible installation.
- Compatible with Camera Link Protocol and GenICam Standard.

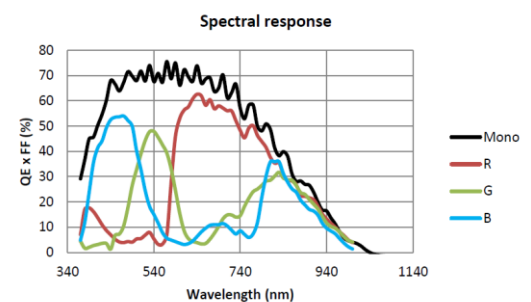
## Available Model

Mono camera: MV-CL042-91CM

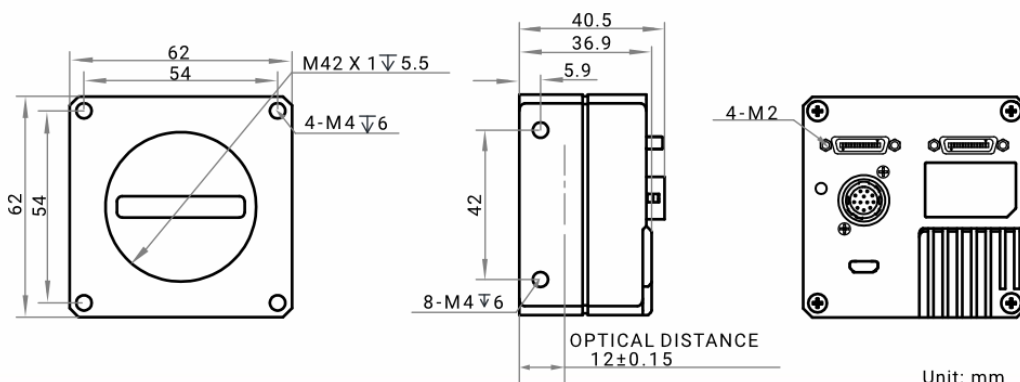
## Applicable Industry

Printing, metallurgy, food, logistics, transportation, material sorting, pharmaceutical manufacturing, etc.

## Sensor Quantum Efficiency



## Dimension



# Specification

<b>Model</b>	<b>MV-CL042-91CM</b>
<b>Camera</b>	
<b>Sensor type</b>	CMOS
<b>Pixel size</b>	7 $\mu$ m
<b>Resolution</b>	4096 $\times$ 2
<b>Image mode</b>	Supports 1-line and 2-TDI
<b>Max. line rate</b>	40.5 kHz (Base), 81 kHz (Medium), 100 kHz (Full)
<b>Configuration mode</b>	Base, Medium, Full
<b>Tap geometry</b>	1X2, 1X4, 1X8
<b>Tap number</b>	2 Taps, 4 Taps, 8 Taps
<b>Pixel clock</b>	40 MHz, 60 MHz, 70 MHz, 85 MHz
<b>Dynamic range</b>	65.6 dB
<b>SNR</b>	40 dB
<b>Gain</b>	Supports 1.0 $\times$ , 1.4 $\times$ , 1.6 $\times$ , 2.4 $\times$ , 3.2 $\times$
<b>Exposure time</b>	5 $\mu$ s to 10 ms
<b>Exposure mode</b>	Off/ Once/ Continuous exposure mode; supports fixed time exposure, trigger-width exposure
<b>Mono/color</b>	Mono
<b>Pixel format</b>	Mono 8/10/12
<b>Binning</b>	Supports 1 $\times$ 1, 1 $\times$ 2, 1 $\times$ 4, 2 $\times$ 1, 2 $\times$ 2, 2 $\times$ 4, 4 $\times$ 1, 4 $\times$ 2, 4 $\times$ 4
<b>Reverse image</b>	Supports horizontal reverse image output
<b>Trigger mode</b>	External trigger, internal trigger
<b>External trigger mode</b>	Line trigger, frame trigger, line + frame trigger
<b>Electrical features</b>	
<b>Data interface</b>	Camera Link (SDR connector); USB interface for updating firmware
<b>Digital I/O</b>	12-pin Hirose connector provides power and I/O: configurable input/output $\times$ 4 (Line 0/1/3/4) and support single-ended/differential. Camera Link provides I/O (CC1/CC2/CC3/CC4).
<b>Power supply</b>	12 VDC to 24 VDC
<b>Power consumption</b>	Typ. 5.5 W@12 VDC
<b>Mechanical</b>	
<b>Lens mount</b>	M42*1, optical back focal length: 12 mm (0.5"), applicable to F-mount, C-mount and lens of other types via lens adapter
<b>Dimension</b>	62 mm $\times$ 62 mm $\times$ 36.9 mm (2.4" $\times$ 2.4" $\times$ 1.5")
<b>Weight</b>	Approx. 238 g (0.5 lb.)
<b>Ingress protection</b>	IP40 (under proper lens installation and wiring)
<b>Temperature</b>	Working temperature: -20 $^{\circ}$ C to 55 $^{\circ}$ C (-4 $^{\circ}$ F to 131 $^{\circ}$ F) Storage temperature : -30 $^{\circ}$ C to 80 $^{\circ}$ C (-22 $^{\circ}$ F to 176 $^{\circ}$ F)
<b>Humidity</b>	5% to 95% RH, non-condensing
<b>General</b>	
<b>Client software</b>	MVS and frame grabber software meeting with Camera Link Protocol
<b>Operating system</b>	32/64-bit Windows XP/7/10
<b>Compatibility</b>	Camera Link V1.2, GenICam
<b>Certification</b>	CE, RoHS, KC

**HIKROBOT**

Hangzhou Hikrobot Co., Ltd.  
en.hikrobotics.com

© Hangzhou Hikrobot Co., Ltd. All Rights Reserved.

Hangzhou Hikrobot does not tolerate any infringement. Any organization or individual may not imitate or reproduce in whole or in part of the content. The data herein is based on Hikrobot's internal evaluation. Actual data may vary depending on specific configuration and operating condition. The information herein is subject to change without notice. All the content has been checked conscientiously. Nevertheless, Hikrobot shall not be liable to damages resulting from errors, inconsistencies or omissions.