

MV-CU013-A0GM/GC

1.3 MP 1/2" CMOS GigE Area Scan Camera



GEN*i*CAM

GigE
VISION

Introduction

MV-CU013-A0GM/GC camera provides high-quality images. It uses GigE interface to transmit non-compressed images in real time, and its max. frame rate can reach 91.3 fps in full resolution.

Key Feature

- Adopts low consumption design with stable performance.
- Supports auto or manual adjustment of gain, exposure time, and manual adjustment of LUT, Gamma correction, etc.
- Supports hardware trigger, software trigger, free run, etc.
- Adopts GigE interface and max. transmission distance of 100 meters without relay.
- Compatible with GigE Vision V2.0 Protocol, GeniCam Standard, and third-party software based on the protocol and standard.

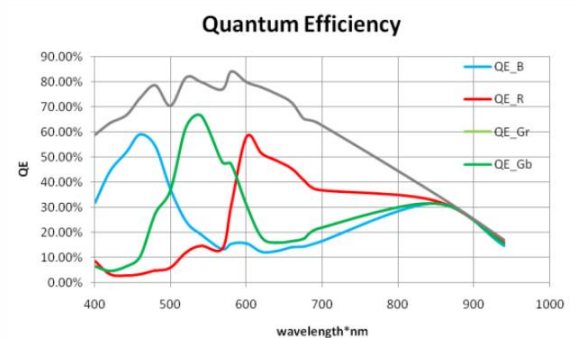
Available Model

- Mono camera: MV-CU013-A0GM
- Color camera: MV-CU013-A0GC

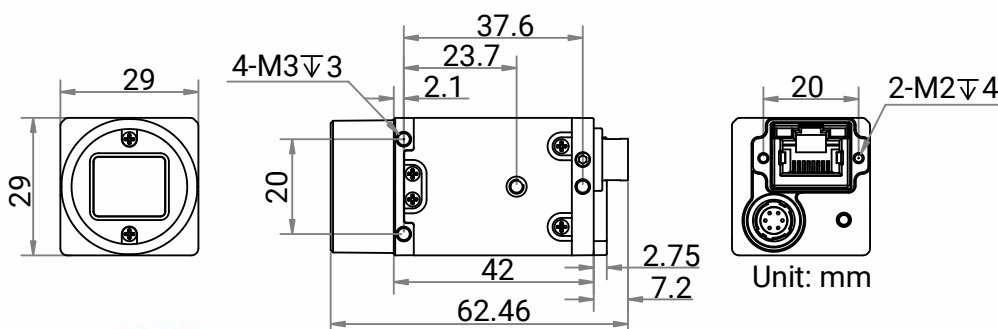
Applicable Industry

Electronics and semiconductor, factory automation, logistics and code reading, medicine package, etc.

Sensor Quantum Efficiency



Dimension



Specification

| Model | MV-CU013-A0GM | MV-CU013-A0GC |
|----------------------------|---|------------------------------------|
| Performance | | |
| Sensor type | CMOS, global shutter | |
| Pixel size | 4.8 μm × 4.8 μm | |
| Sensor size | 1/2" | |
| Resolution | 1280 × 1024 | |
| Max. frame rate | 91.3 fps@1280 × 1024 Mono 8 | 91.3 fps@1280 × 1024 Bayer GB 8 |
| Dynamic range | 54 dB | |
| SNR | 40.6 dB | |
| Gain | 0 dB to 16 dB | |
| Exposure time | 10 μs to 10 sec | |
| Exposure mode | Off/Once/Continuous exposure mode | |
| Mono/color | Mono | Color |
| Pixel format | Mono 8/10/10Packed/12/12Packed | Bayer GB 8/10/10Packed/12/12Packed |
| Binning | Supports 1 × 1, 2 × 2, 4 × 4 | |
| Decimation | Supports 1 × 1, 2 × 2, 4 × 4 | |
| Reverse image | Supports horizontal and vertical reverse image output | |
| Electrical features | | |
| Data interface | Gigabit Ethernet, compatible with Fast Ethernet | |
| Digital I/O | 6-pin P7 connector provides power and I/O, including opto-isolated input × 1 (Line 0), opto-isolated output × 1 (Line 1), bi-directional non-isolated I/O × 1 (Line 2). | |
| Power supply | 9 VDC to 24 VDC, PoE is optional | |
| Power consumption | Typ. 1.8 W@12 VDC | |
| Mechanical | | |
| Lens mount | C-mount | |
| Dimension | 29 mm × 29 mm × 42 mm (1.1" × 1.1" × 1.7") | |
| Weight | Approx. 100 g (0.2 lb.) | |
| Ingress protection | IP30 (under proper lens installation and wiring) | |
| Temperature | Working temperature: 0 °C to 50 °C (32 °F to 122 °F) Storage temperature: -30 °C to 70 °C (-22 °F to 158 °F) | |
| Humidity | 20% to 95% RH, non-condensing | |
| General | | |
| Client software | MVS or third-party software meeting with GigE Vision Protocol | |
| Operating system | 32/64-bit Windows XP/7/10, 32/64-bit Linux and 64-bit MacOS | |
| Compatibility | GigE Vision V2.0, GenICam | |
| Certification | CE, RoHS, KC | |



Hangzhou Hikrobot Co., Ltd.
en.hikrobotics.com