

MV-ID6200EM-00C-NNG

20 MP 1" CMOS Industrial Code Reader



Introduction

With built-in code reading algorithm, MV-ID6200EM-00C-NNG industrial code reader can read different types of 1-dimensional and 2-dimensional codes with reading speed up to 30 codes/sec. It adopts deep learning algorithm to process images with good robustness, and can recognize various complex codes. It can be cooperated with the light source to have a larger depth of field.

Key Feature

- Built-in deep learning algorithm to read codes with good robustness.
- Adopts CMOS sensor to provide high-quality images with horizontal resolution of 5K and bottom horizontal FOV covering 1-meter conveyor line.
- Supports rapid recognition of multiple codes within large FOV.
- Supports networking of multiple devices.
- Flexible installation and convenient debugging.

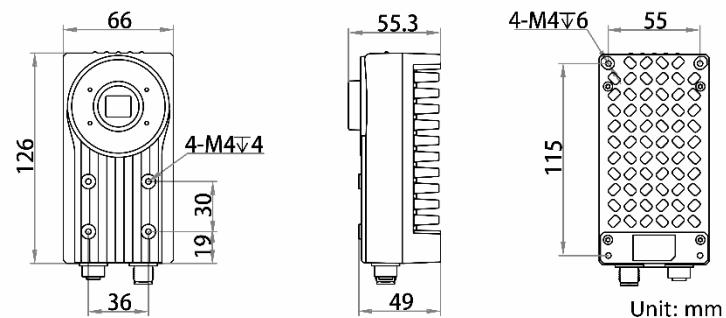
Available Model

MV-ID6200EM-00C-NNG

Applicable Industry

Express delivery and logistics, e-commerce, warehouse, etc.

Dimension



Accessories

- Lens: KF series FA lens
- Light source: MV-LB-270-140-4030WL-A, MV-LB-270-140-4030WL-IR



Specification

Model	MV-ID6200EM-00C-NNG
Performance	
Symbologies	1-dimensional codes: Code 39, Code 128, Code 93, ITF 14, ITF 25, CodaBar, EAN 8, EAN 13, UPCA, UPCE
	2-dimensional codes: QR Code, Data Matrix
Max. frame rate	10 fps
Max. reading speed	30 codes/sec
Sensor type	CMOS, rolling shutter
Pixel size	2.4 μm \times 2.4 μm
Sensor size	1"
Resolution	5440 \times 3648
Exposure time	16 μs to 500 ms
Gain	0 dB to 40 dB
Mono/color	Mono
Communication protocol	SmartSDK, TCP Client, TCP Server, Serial, FTP, UDP
Electrical feature	
Data interface	Gigabit Ethernet
Digital I/O	12-pin M12 connector provides power and I/O, including opto-isolated input (LineIn 3/4/5) \times 3, opto-isolated output (LineOut 3/4/5) \times 3, and RS-232 \times 1.
Power supply	12 VDC to 24 VDC
Max. power consumption	12 W@24 VDC
Mechanical	
Lens mount	C-mount
Lens cap	Not included
Light source	Not included
Dimension	126 mm \times 66 mm \times 55.3 mm (5.0" \times 2.6" \times 2.2")
Weight	Approx. 550 g (1.2 lb.)
Ingress protection	IP64
Temperature	Working temperature: 0 $^{\circ}\text{C}$ to 50 $^{\circ}\text{C}$ (32 $^{\circ}\text{F}$ to 122 $^{\circ}\text{F}$) Storage temperature: -30 $^{\circ}\text{C}$ to 70 $^{\circ}\text{C}$ (-22 $^{\circ}\text{F}$ to 158 $^{\circ}\text{F}$)
Humidity	20% to 95% RH, non-condensing
General	
Client software	IDMVS
Certification	CE, RoHS

HIKROBOT

Hangzhou Hikrobot Co., Ltd.
en.hikrobotics.com

© Hangzhou Hikrobot Co., Ltd. All Rights Reserved.

Hangzhou Hikrobot does not tolerate any infringement. Any organization or individual may not imitate or reproduce in whole or in part of the content. The data herein is based on Hikrobot's internal evaluation. Actual data may vary depending on specific configuration and operating condition. The information herein is subject to change without notice. All the content has been checked conscientiously. Nevertheless, Hikrobot shall not be liable to damages resulting from errors, inconsistencies or omissions.