

MV-ID6200M-00C-NNG

20 MP 1" CMOS Smart Code Reader



Introduction

With built-in code reading algorithm, MV-ID6200M-00C-NNG smart code reader can read different types of 1-dimensional code and 2-dimensional code with reading speed up to 60 codes/sec. It adopts deep learning algorithm to process image with good robustness, and can recognize various poor printing quality codes.

Key Feature

- Provides 20 MP resolution to cover a larger field of view.
- Adopts deep learning algorithm with good robustness to recognize various poor printing quality codes.
- Supports recognition of multiple codes in the field of view.
- Supports gigabit Ethernet transmission to output images.
- Supports networking of multiple devices via code reading platform.
- Ingress protection (IP) 67.

Available Model

MV-ID6200M-00C-NNG

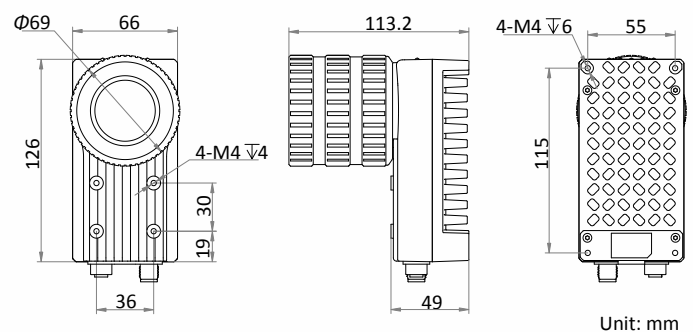
Applicable Industry

Delivery logistics, warehouse logitics, etc.

Accessories

- Lens: KF series FA lens
- Light source: MV-LB-270-140-4030WL-A

Dimension



Specification

Model	MV-ID6200M-00C-NNG
Performance	
Symbologies	1-dimensional codes: Code 39, Code 128, Code 93, ITF 25, CodaBar, EAN 8, EAN 13, UPCA, UPCE, ITF 14 2-dimensional codes: QR Code, Data Matrix
Max. frame rate	20 fps
Max. reading speed	60 codes/sec
Sensor type	CMOS, rolling shutter
Pixel size	2.4 μm \times 2.4 μm
Sensor size	1"
Resolution	5440 \times 3648
Exposure time	16 μs to 0.5 sec
Gain	0 dB to 40 dB
Mono/color	Mono
Communication protocol	SmartSDK, TCP Client, TCP Server, Serial, FTP
Electrical feature	
Data interface	Gigabit Ethernet
Digital I/O	12-pin M12 connector provides power and I/O, including opto-isolated input (LineIn 0/1/2) \times 3, opto-isolated output (LineOut 3/4/5) \times 3, and RS-232 \times 1.
Power supply	12 VDC to 24 VDC
Max. power consumption	12 W@24 VDC
Mechanical	
Lens mount	C-mount
Light source	Not included
Lens cap	Included
Dimension	126 mm \times 66 mm \times 113.2 mm (5.0" \times 2.6" \times 4.5")
Weight	Approx. 750 g (1.7 lb.)
Ingress protection	IP67 (under proper installation of waterproof lens cap)
Temperature	Working temperature: 0 $^{\circ}\text{C}$ to 50 $^{\circ}\text{C}$ (32 $^{\circ}\text{F}$ to 122 $^{\circ}\text{F}$) Storage temperature: -30 $^{\circ}\text{C}$ to 70 $^{\circ}\text{C}$ (-22 $^{\circ}\text{F}$ to 158 $^{\circ}\text{F}$)
Humidity	20% to 95% RH, non-condensing
General	
Client software	IDMVS
Certification	CE, RoHS

HIKROBOT

Hangzhou Hikrobot Co., Ltd.
en.hikrobotics.com

© Hangzhou Hikrobot Co., Ltd. All Rights Reserved.

Hangzhou Hikrobot does not tolerate any infringement. Any organization or individual may not imitate or reproduce in whole or in part of the content. The data herein is based on Hikrobot's internal evaluation. Actual data may vary depending on specific configuration and operating condition. The information herein is subject to change without notice. All the content has been checked conscientiously. Nevertheless, Hikrobot shall not be liable to damages resulting from errors, inconsistencies or omissions.