

MV-IDH2003

0.3 MP Wired Handheld Code Reader



Introduction

MV-IDH2003 wired handheld code reader adopts code reading algorithm and can read different types of one-dimensional and two-dimensional codes, and output results rapidly. It has good decoding capability for codes with spots, defects and low contrast ratio, and DPM code.

Key Feature

- Adopts code reading algorithm to read different types of one-dimensional and two-dimensional codes.
- Provides good robustness to read codes with spots, defects and low contrast ratio.
- Supports multiple output modes, including USB-HID, USB-CDC, RS232.
- Supports displaying device status via buzzer and indicator.
- Easy to replace components.

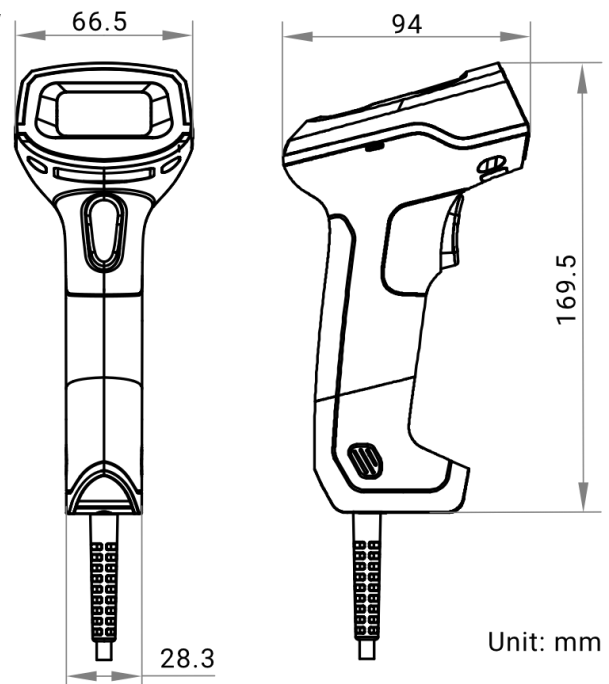
Applicable Industry

Intelligent manufacturing, retail, logistics, medical treatment, enterprises and institutions, etc.

Available Model

MV-IDH2003-03S-W2U

Dimension



Specification

| | |
|---|--|
| Model | MV-IDH2003-03S-W2U |
| Performance | |
| Symbologies | 1-dimensional codes: Code 39, Code 93, Code 128, CodaBar, EAN 8, EAN 13, ITF 14, ITF 25, UPCA, and UPCE |
| | 2-dimensional codes: QR Code, Data Matrix, Micro QR Code, and Aztec |
| | Stacked codes: PDF417 |
| Min. accuracy | 4 mil |
| Max. frame rate | 50 fps |
| Sensor type | CMOS, global shutter |
| Pixel size | 3.74 μm × 3.74 μm |
| Sensor size | 1/6" |
| Resolution | 640 × 480 |
| Depth of field* | EAN 13 (13 mil) 65 mm to 250 mm, Code 39 (5 mil): 40 mm to 140 mm Data Matrix (10 mil): 40 mm to 140 mm, QR Code (15 mil): 35 mil to 200 mm |
| Field of view | Horizontal 42°, vertical 32° |
| Detection angle | Tilt angle ± 60°, skew angle ± 60°, rotation angle 360° |
| Symbol contrast | 20% |
| Communication protocol | SmartSDK, USB (HID/CDC) |
| Electrical feature | |
| Data interface | USB2.0 |
| Power supply | 5 VDC |
| Max. power consumption | 2.5 W@5 VDC |
| Mechanical | |
| Focal length | 3.1 mm |
| Lens mount | M5.0-mount |
| Ambient illumination | 0 lux to 100000 lux |
| Light source | Green LED |
| Aiming system | Orange LED |
| Prompt | LED indicator, buzzer |
| Dimension | 66.5 mm × 94 mm × 169.5 mm (2.6" × 3.7" × 6.7") |
| Weight | Approx. 160 g (0.4 lb.) |
| Ingress protection | IP42 |
| Temperature | Working temperature: -20 °C to 55 °C (-4 °F to 131 °F) storage temperature: -30 °C to 70 °C (-22°F to 158 °F) |
| Humidity | 5% to 95% RH, non-condensing |
| Drop height | 1.5 m (59.1"), 50 times |
| General | |
| Client software | IDMVS |
| Certification | CE, KC, RoHS |
| *Test condition: Environment temperature=25 °C (77 °F), ambient illumination=250 lux filament lamp, Hikrobot's test symbologies are used. | |