

# MV-IDH7010P

## 1 MP Handheld Code Reader



### Introduction

IDH7000P series wired handheld code reader adopts code reading algorithm to provide good decoding capability for DPM. It can read different types of 1D and 2D codes, and output codes rapidly.

### Key Feature

- Adopts code reading algorithm to provide good decoding capability.
- Provides good robustness to read codes with spots, defects and low contrast radio.
- Supports continuous code reading, batch code reading for improving code reading efficiency.
- Supports multiple communication protocols, including TCP, Serial, FTP, Profinet, etc.
- Adopts illumination system to provide direct lighting and diffused reflection lighting.
- Supports IP65 and drop height of 1.8 m.

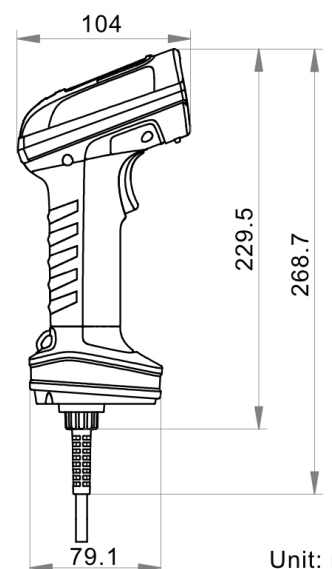
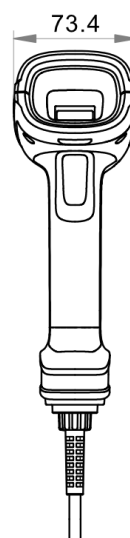
### Applicable Industry

PCB, new energy, consumer electronics, semiconductor, automobile parts, etc.

### Available Model

- MV-IDH7010P-07-SR-L
- MV-IDH7010P-07-SR-U
- MV-IDH7010P-07-SR-LP
- MV-IDH7010P-07-NR-L
- MV-IDH7010P-07-NR-U
- MV-IDH7010P-07-NR-LP
- MV-IDH7010P-07ER-U
- MV-IDH7010P-07HHD-L
- MV-IDH7010P-07HHD-U

### Dimension



Unit: mm

## Specification

Model	MV-IDH7010P-07-NR-L(U/LP)	MV-IDH7010P-07-SR-L(U/LP)
<b>Performance</b>		
<b>Symbologies</b>	1D codes: Code 39, Code 93, Code 128, CodaBar, EAN 8, EAN 13, ITF 14, ITF 25, UPCA, UPCE	
	2D codes: QR Code, Data Matrix	
<b>Min. accuracy</b>	3 mil	
<b>Max. frame rate</b>	50 fps	
<b>Sensor type</b>	CMOS, global shutter	
<b>Pixel size</b>	3 μm × 3 μm	
<b>Sensor size</b>	1/4"	
<b>Resolution</b>	1280 × 800	
<b>Depth of field*</b>	Code 39 (3 mil): 15 mm to 60 mm Code 39 (5 mil): 50 mm to 80 mm Data Matrix (5 mil): 10 mm to 70 mm Data Matrix (10 mil): 0 mm to 110 mm QR Code (5 mil): 10 mm to 70 mm	Code 39 (5 mil): 30 mm to 200 mm Code 128 (3 mil): 55 mm to 110 mm Code 128 (20 mil): 56 mm to 660 mm Data Matrix (10 mil): 20 mm to 220 mm QR Code (10 mil): 20 mm to 220 mm QR Code (20 mil): 10 mm to 450 mm
<b>Field of view</b>	Horizontal 31°, vertical 20°	
<b>Detection angle</b>	Tilt angle ± 60°, skew angle ± 60°, rotation angle 360°	
<b>Symbol contrast</b>	20%	
<b>Communication protocol</b>	Fast Ethernet type device: SmartSDK, TCP, FTP, HTTP, MELSEC/SLMP, Profinet, Ethernet/IP, ModBus, UDP, Fins, Serial USB type device: SmartSDK, USB (HID/CDC)	
<b>Electrical feature</b>		
<b>Data interface</b>	Fast Ethernet type device: Fast Ethernet, RS-232, DC terminal USB type device: USB2.0, DC terminal	
<b>Power supply</b>	Fast Ethernet type device: 12 VDC to 24 VDC USB type device: USB2.0: 5 VDC, DC terminal: 12 VDC to 24 VDC	
<b>Max. power consumption</b>	Fast Ethernet type device: 6 W@24 VDC USB type device: USB2.0: 4.6 W@5 VDC, DC terminal: 6 W@24 VDC	
<b>Mechanical</b>		
<b>Focal length</b>	6.7 mm	
<b>Lens mount</b>	M5.8-mount	
<b>Ambient illumination</b>	0 lux to 100000 lux	
<b>Light source</b>	Direct: white LED; diffused reflection: red LED	
<b>Aiming system</b>	Cross laser aiming	
<b>Dimension</b>	73.4 mm × 104 mm × 229.5 mm (2.9" × 4.1" × 9.0")	
<b>Weight</b>	Approx. 460 g (1.0 lb.)	
<b>Ingress protection</b>	IP65	
<b>Temperature</b>	Working temperature: -20 °C to 50 °C (-4 °F to 122 °F), storage temperature: -30 °C to 70 °C (-22 °F to 158 °F)	
<b>Humidity</b>	20% to 95% RH, non-condensing	
<b>Drop height</b>	1.8 m (70.9")	
<b>General</b>		
<b>Client software</b>	IDMVS	
<b>Certification</b>	CE	

\*Test condition: Environment temperature=25 °C (77 °F), ambient illumination=250 lux filament lamp, Hikrobot's test symbologies are used.

## Specification

<b>Model</b>	<b>MV-IDH7010P-07ER-U</b>
<b>Performance</b>	
<b>Symbologies</b>	1D codes: Code 39, Code 93, Code 128, CodaBar, EAN 8, EAN 13, ITF 14, ITF 25, UPCA, UPCE 2D codes: QR Code, Data Matrix
<b>Min. accuracy</b>	1D codes: 5 mil, 2D codes: 10 mil
<b>Max. frame rate</b>	50 fps
<b>Sensor type</b>	CMOS, global shutter
<b>Pixel size</b>	3 μm × 3 μm
<b>Sensor size</b>	1/4"
<b>Resolution</b>	1280 × 800
<b>Depth of field*</b>	Code 39 (20 mil): 80 mm to 1000 mm Code 39 (100 mil): ** mm to 3000 mm Code 128 (5 mil): 180 mm to 270 mm Code 128 (15 mil): 100 mm to 800 mm Data Matrix (10 mil): 160 mm to 310 mm Data Matrix (160 mil): ** mm to 2700 mm
<b>Field of view</b>	Horizontal 31°, vertical 20°
<b>Detection angle</b>	Tilt angle ± 60°, skew angle ± 60°, rotation angle 360°
<b>Symbol contrast</b>	20%
<b>Communication protocol</b>	SmartSDK, USB (HID/CDC)
<b>Electrical feature</b>	
<b>Data interface</b>	USB2.0, DC terminal
<b>Power supply</b>	USB2.0: 5 VDC, DC terminal: 12 VDC to 24 VDC
<b>Max. power consumption</b>	USB2.0: 4.6 W@5 VDC, DC terminal: 6 W@24 VDC
<b>Mechanical</b>	
<b>Focal length</b>	6.7 mm
<b>Lens mount</b>	M5.8-mount
<b>Ambient illumination</b>	0 lux to 100000 lux
<b>Light source</b>	Direct: white LED; diffused reflection: red LED
<b>Aiming system</b>	Cross laser aiming
<b>Dimension</b>	73.4 mm × 104 mm × 229.5 mm (2.9" × 4.1" × 9.0")
<b>Weight</b>	Approx. 460 g (1.0 lb.)
<b>Ingress protection</b>	IP65
<b>Temperature</b>	Working temperature: -20 °C to 50 °C (-4 °F to 122 °F), storage temperature: -30 °C to 60 °C (-22 °F to 140 °F), charging temperature: 0 °C to 45 °C (32 °F to 113 °F)
<b>Humidity</b>	20% to 95% RH, non-condensing
<b>Drop height</b>	1.8 m (70.9")
<b>General</b>	
<b>Client software</b>	IDMVS
<b>Certification</b>	CE

\*Test condition: Environment temperature=25 °C (77 °F), ambient illumination=250 lux filament lamp, Hikrobot's test symbologies are used.

Model	MV-IDH7010P-07HHD-L	MV-IDH7010P-07HHD-U
<b>Performance</b>		
<b>Symbologies</b>	1D codes: Code 39, Code 93, Code 128, CodaBar, EAN 8, EAN 13, ITF 14, ITF 25, UPCA, UPCE	
	2D codes: QR Code, Data Matrix	
<b>Min. accuracy</b>	1D codes: 0.8 mil, 2D codes: 2 mil	
<b>Max. frame rate</b>	50 fps	
<b>Sensor type</b>	CMOS, global shutter	
<b>Pixel size</b>	3 μm × 3 μm	
<b>Sensor size</b>	1/4"	
<b>Resolution</b>	1280 × 800	
<b>Depth of field*</b>	Code 39 (5 mil): 0 mm to 29 mm Data Matrix (2 mil): 0 mm to 11 mm Data Matrix (5 mil): 0 mm to 20 mm QR Code (10 mil): 0 mm to 40 mm	
<b>Field of view</b>	Horizontal 31°, vertical 20°	
<b>Detection angle</b>	Tilt angle ± 60°, skew angle ± 60°, rotation angle 360°	
<b>Symbol contrast</b>	20%	
<b>Communication protocol</b>	Fast Ethernet type device: SmartSDK, TCP, FTP, HTTP, MELSEC/SLMP, Profinet, Ethernet/IP, ModBus, UDP, Fins, Serial USB type device: SmartSDK, USB (HID/CDC)	
<b>Electrical feature</b>		
<b>Data interface</b>	Fast Ethernet type device: Fast Ethernet, RS-232, DC terminal USB type device: USB2.0, DC terminal	
<b>Power supply</b>	Fast Ethernet type device: 12 VDC to 24 VDC USB type device: USB2.0: 5 VDC, DC terminal: 12 VDC to 24 VDC	
<b>Max. power consumption</b>	Fast Ethernet type device: 6 W@24 VDC USB type device: USB2.0: 4.6 W@5 VDC, DC terminal: 6 W@24 VDC	
<b>Mechanical</b>		
<b>Focal length</b>	6.7 mm	
<b>Lens mount</b>	M5.8-mount	
<b>Ambient illumination</b>	0 lux to 100000 lux	
<b>Light source</b>	Direct: white LED; diffused reflection: red LED	
<b>Aiming system</b>	Cross laser aiming	
<b>Dimension</b>	73.4 mm × 104 mm × 229.5 mm (2.9" × 4.1" × 9.0")	
<b>Weight</b>	Approx. 460 g (1.0 lb.)	
<b>Ingress protection</b>	IP65	
<b>Temperature</b>	Working temperature: -20 °C to 50 °C (-4 °F to 122 °F), storage temperature: -30 °C to 70 °C (-22 °F to 158 °F)	
<b>Humidity</b>	20% to 95% RH, non-condensing	
<b>Drop height</b>	1.8 m (70.9")	
<b>General</b>		
<b>Client software</b>	IDMVS	
<b>Certification</b>	CE	

\*Test condition: Environment temperature=25 °C (77 °F), ambient illumination=250 lux filament lamp, Hikrobot's test symbologies are used.

Hangzhou Hikrobot Co. Ltd.  
en.hikrobotics.com

© Hangzhou Hikrobot Co., Ltd. All Rights Reserved.

Hangzhou Hikrobot does not tolerate any infringement. Any organization or individual may not imitate or reproduce in whole or in part of the content. The data herein is based on Hikrobot's internal evaluation. Actual data may vary depending on specific configuration and operating condition. The information herein is subject to change without notice. All the content has been checked conscientiously. Nevertheless, Hikrobot shall not be liable to damages resulting from errors, inconsistencies or omissions.