

MV-SC6050M-00C-NNN

5 MP Smart Camera



Introduction

MV-SC6000 smart camera is developed based on high-performance embedded platform with strong calculation performance. It integrates VM functions and AI deep learning algorithm, and can use more than 140 algorithms. It adopts multiple interfaces for supporting external light source, display, mouse, etc.

Available Model

MV-SC6050M-00C-NNN

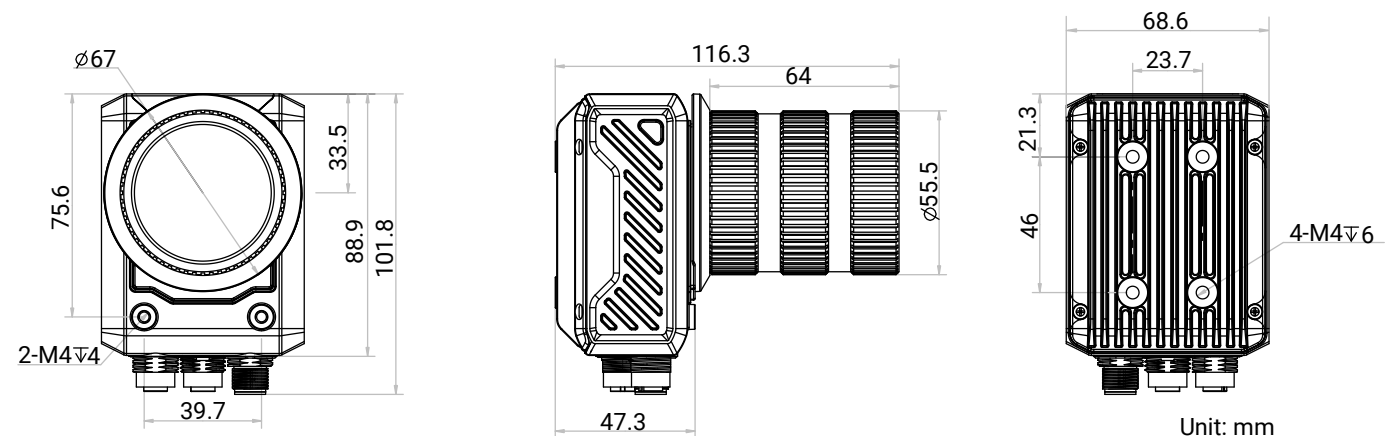
Applicable Industry

Consumer electronics, food and pharmaceutical, packaging, positioning and grabbing, etc.

Key Feature

- Adopts AI deep learning algorithm to achieve OCR, object recognition, defect detection, etc.
- Integrates VM functions and supports more than 140 algorithms.
- Adopts multiple interfaces and supports multiple-channel I/O, light source, display, etc.
- Adopts high-performance CPU with faster calculation performance and high efficiency.
- Supports multiple communication protocols.
- Supports indicators displaying device status for easy debugging and maintenance.
- Supports ingress protection IP67.

Dimension



Specification

Model	MV-SC6050M-00C-NNN
Tool	
Function module	VM Platform
Communication protocol	TCP, UDP, ModBus, Serial Port, Profinet, EtherNet/IP, Fins, MC, FTP, etc.
Camera	
Sensor type	CMOS, global shutter
Pixel size	3.2 μm \times 3.2 μm
Sensor size	1/1.7"
Resolution	2560 \times 2048
Max. frame rate	40 fps
Gain	0 dB to 18 dB
Exposure time	16 μs to 1 sec
Pixel format	Mono 8
Mono/color	Mono
Platform	
Memory	8 GB
Storage	64 GB
Electrical feature	
Data interface	Gigabit Ethernet
Digital I/O	17-pin M12 male connector provides power and I/O, providing opto-isolated input \times 2 (Line 0/1), opto-isolated output \times 2 (Line 4/5), configurable non-isolated input/output \times 2 (Line 2/3), RS-232 \times 1, light source output (max. 30 W) \times 1
Extended interface	17-pin M12 female connector provides VGA \times 1 and USB host \times 1
Power supply	24 VDC
Power consumption	Approx. 12.5 W @24 VDC (without external light source) Approx. 42.5 W @24 VDC (with external light source)
Mechanical	
Lens mount	C-mount
Lens cap	Transparent lens cap
Light source	Not included
Indicator	Power indicator (PWR), network indicator (LNK), status indicator (STS), and user-defined indicator (U1/U2)
Dimension	116.3 mm \times 68.6 mm \times 101.8 mm (4.6" \times 2.7" \times 4.0")
Weight	Approx. 530 g (1.2 lb.)
Ingress protection	IP67 (under proper installation of waterproof lens cap)
Temperature	Working temperature: 0 $^{\circ}\text{C}$ to 50 $^{\circ}\text{C}$ (32 $^{\circ}\text{F}$ to 122 $^{\circ}\text{F}$) Storage temperature: -30 $^{\circ}\text{C}$ to 70 $^{\circ}\text{C}$ (-22 $^{\circ}\text{F}$ to 158 $^{\circ}\text{F}$)
Humidity	20% to 95% RH, non-condensing
General	
Certification	CE, KC