

## MVL-HF1624M-10MP 1/1.8" 16mm 10MP FA LENS

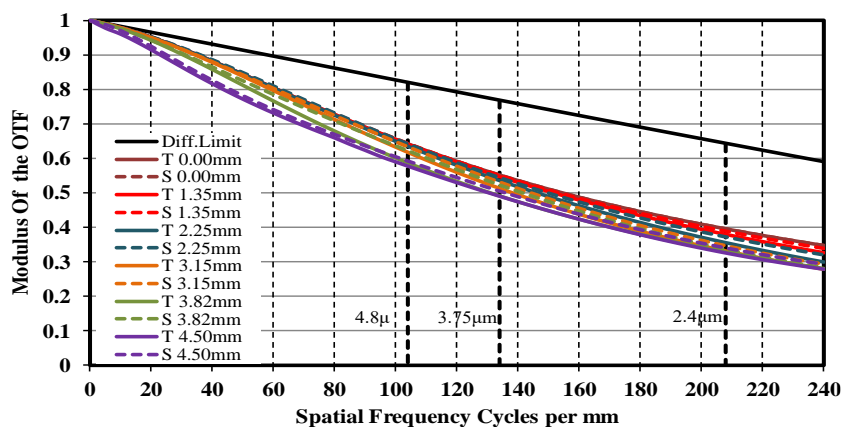
HF-P series FA Lens are optimized for machine vision light sources and sensor, with high resolution, excellent image quality, high transmittance and good stability. Featured with fixed focal length, manual aperture and compact size, it is suitable for machine vision industry applications and ideal for industrial cameras.



### Key Features

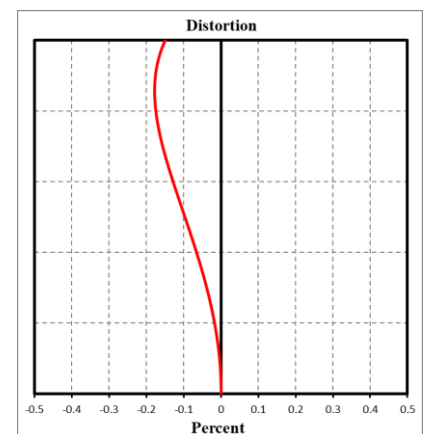
- Ultra high resolution and consistency of image clarity
- Bigger aperture, lower distortion and higher relative illumination rate
- Achromatic optical system design, Better imaging performance with color camera
- Excellent vibration resistance performance, optical axis shifting within pixel level
- Good stability at high and low temperature
- Multilayer and broadband coating design, compatible with visible and near-infrared applications

### MTF

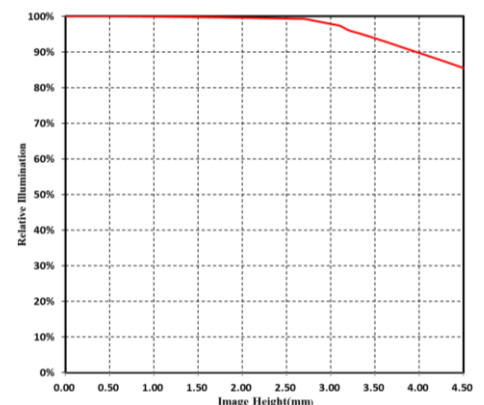


Note: The above curves are the simulate results based on F2.4,  $\beta=-0.039$ , WD=400 mm.

### Distortion



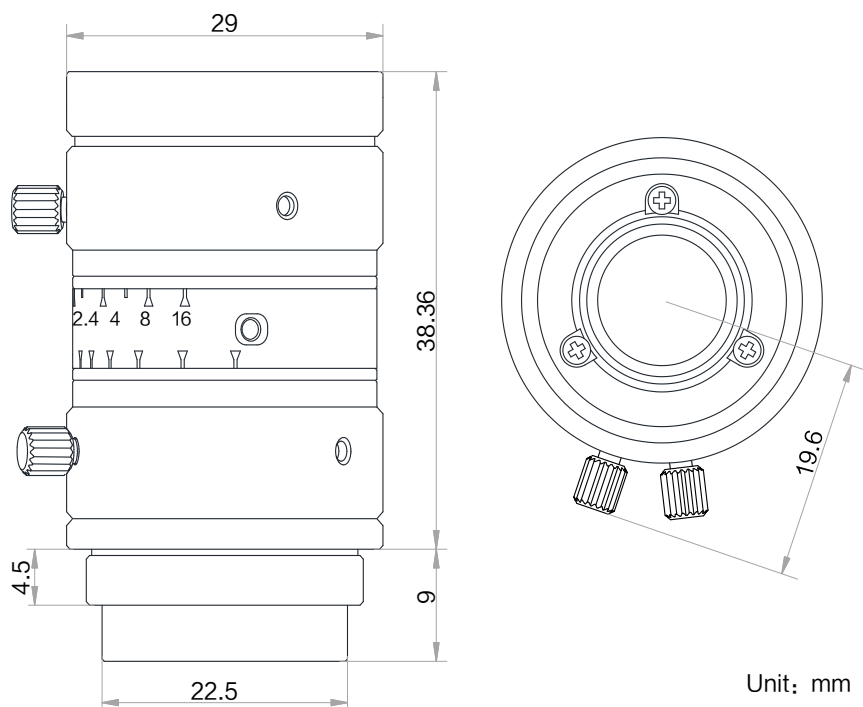
### Relative Illumination



## Specification

Parameter	Model	MVL-HF1624M-10MP
		Fixed focal length, Manual iris, 10MP, FA Lens
<b>Performance</b>		
Focal Length		16 mm
F-Number		F2.4~F16
Image Size		Φ9 mm(1/1.8")
Distortion		-0.02%
Minimum Object Distance		0.1 m
Field of View		D (8.96mm): 30.17° H (7.38mm): 25.07° V (4.92mm): 16.92°
<b>Mechanical</b>		
Iris Control		Manual
Focus Control		Manual
Filter Thread		M27 × 0.5
Mount		C-Mount
Flange Back Length		17.526 mm
Dimension		Φ29 × 38.36 mm
Weight		70.2 g
Temperature		-10 ~ 50°C
<b>General</b>		
Certification		RoHS2.0

## Dimension



## Field of View

Extension (mm)	Working Distance (mm)		Magnification	Field of View (mm)			
				1/1.8"		1/2"	
				H(7.38mm)	V(4.92mm)	H(6.22mm)	V(4.67mm)
10	near	6.6	-0.778	9.61	6.36	8.07	6.04
	far	11.5	-0.607	12.37	8.17	10.37	7.75
5	near	20.6	-0.459	16.28	10.79	13.67	10.23
	far	38.3	-0.305	24.50	16.22	20.57	15.39
2	near	45.2	-0.267	27.91	18.53	23.47	17.58
	far	118	-0.123	60.36	40.09	50.77	38.04
1	near	64	-0.202	36.77	24.43	30.94	23.19
	far	250	-0.062	119.60	79.58	100.71	75.52
0		100	-0.138	53.71	35.74	45.23	33.92
		150	-0.097	76.51	50.93	64.44	48.33
		200	-0.075	99.14	66.01	83.51	62.65
		250	-0.061	121.70	81.05	102.52	76.92
		300	-0.051	144.21	96.06	121.50	91.17
		350	-0.044	116.70	111.05	140.46	105.40
		400	-0.039	189.17	126.03	159.40	119.62
		450	-0.035	211.63	141.01	178.34	133.83
		500	-0.032	234.10	155.98	197.27	148.05
		550	-0.029	256.55	170.95	216.20	162.15
		600	-0.027	278.99	185.92	253.12	176.46
		650	-0.025	301.43	200.88	254.04	190.66
		700	-0.023	323.87	215.84	272.95	204.85
		800	-0.020	368.74	245.75	310.78	233.25
		900	-0.018	413.60	275.67	348.60	261.65
	1000	-0.016	458.46	305.58	386.41	290.03	

**HIKROBOT**

Hangzhou Hikrobot Co. Ltd.  
en.hikrobotics.com

© Hangzhou Hikrobot Co., Ltd. All Rights Reserved.

Hangzhou Hikrobot does not tolerate any infringement. Any organization or individual may not imitate or reproduce in whole or in part of the content. The data herein is based on Hikrobot's internal evaluation. Actual data may vary depending on specific configuration and operating condition. The information herein is subject to change without notice. All the content has been checked conscientiously. Nevertheless, Hikrobot shall not be liable to damages resulting from errors, inconsistencies or omissions.