

MVL-HF3028M-6MPE
1/1.8" 30mm 6MP FA LENS

FA series Lens are optimized for machine vision light sources and sensor, with high resolution, excellent image quality, high transmittance and good stability. Featured with fixed focal length, manual aperture and compact size, it is suitable for machine vision industry applications and ideal for industrial cameras.



Key Features

- Higher image clarity and contrast ratio
- Ultra-low distortion and higher relative illumination rate
- Good optical performance at ultra-short working distance
- Compact design, convenient for device integration

Order Model

MVL-HF3028M-6MPE

Specification

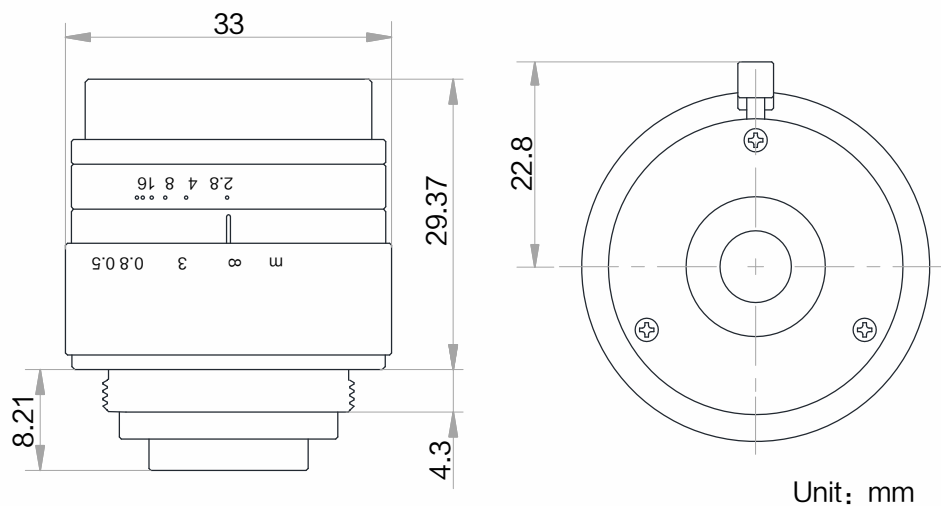
Model		MVL-HF3028M-6MPE	
Parameter		Fixed focal length, Manual iris, 6MP, FA Lens	
Focal Length		30mm	Mount C-Mount
F-Number		F2.8~F16	Flange Back Length 17.526mm
Image Size		Φ9mm(1/1.8")	Filter Thread M27×P0.5
Distortion		-0.031%	Minimum Operation Distance 0.2m
Control	Iris	Manual	Dimension Φ33×29.4mm
	Focus	Manual	
Operating Temperature		-10~50°C	Weight 49.2g
Angle of View		1/1.8"	D (8.96mm) 15.0°
			H (7.37mm) 12.4°
			V (4.92mm) 8.3°



Field of View

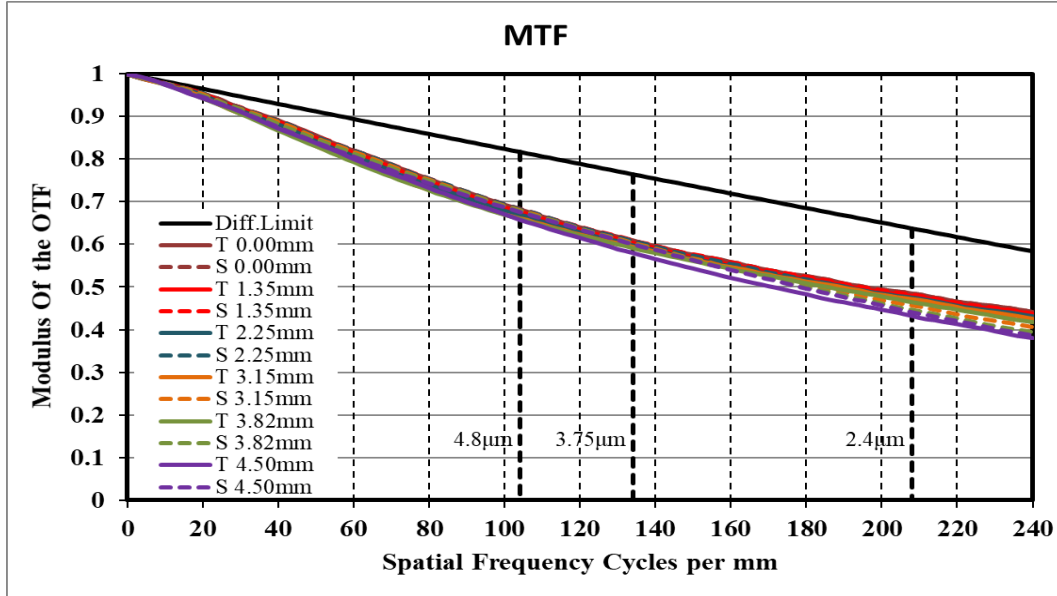
Extension (mm)	Working Distance (mm)		Magnification	Field of View (mm)			
				1/1.8"		1/2"	
				(7.38mm × 4.92mm)		(6.22mm × 4.67mm)	
			H	V	H	V	
10	near	62	-0.514	14.43	9.60	12.15	9.11
	far	111	-0.296	25.20	16.72	21.18	15.86
5	near	92	-0.329	22.57	15.01	19.00	14.25
	far	225	-0.148	50.03	33.29	42.12	31.59
2	near	134	-0.217	34.16	22.74	28.77	21.58
	far	569	-0.059	124.40	82.96	104.86	78.75
1	near	160	-0.179	41.26	27.47	34.75	26.07
	far	1141	-0.030	248.18	165.64	209.29	157.24
0		200	-0.142	52.09	34.69	43.88	32.93
		250	-0.115	64.29	42.82	54.16	40.64
		300	-0.097	76.21	50.76	64.20	48.18
		350	-0.084	87.94	58.58	74.09	55.60
		400	-0.074	99.52	66.31	83.85	62.94
		450	-0.067	111.00	73.97	93.53	70.21
		500	-0.060	122.40	81.57	103.14	77.43
		550	-0.055	133.73	89.14	112.70	84.61
		600	-0.051	145.00	96.66	122.20	91.75
		650	-0.047	156.23	104.16	131.67	98.86
		700	-0.044	167.42	111.63	141.11	105.95
		800	-0.039	189.70	126.50	159.90	120.08
		900	-0.035	211.88	141.31	178.61	134.14
	1000	-0.032	233.98	156.07	197.26	148.15	

Dimension

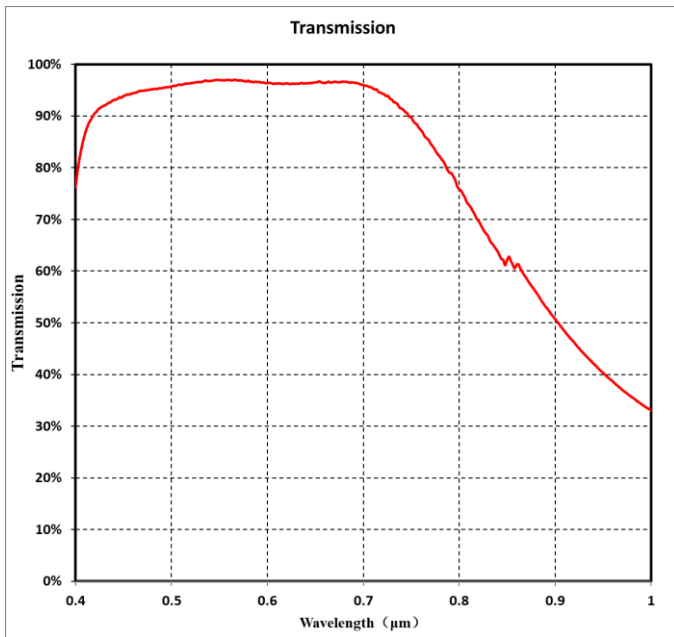


Unit: mm

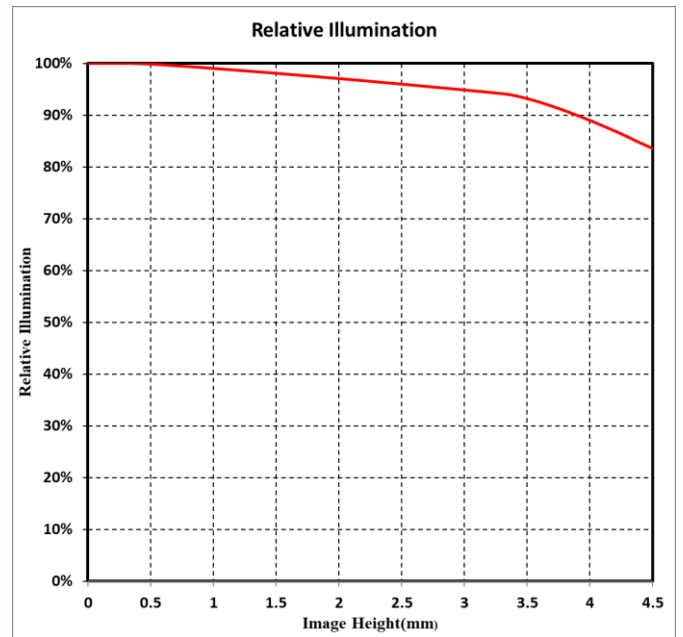
MTF



Transmission



Relative Illumination



Note: The above curves are the simulate results based on F2.8, $\beta=-0.0603$, WD=500 mm.

HIKROBOT

Hangzhou Hikrobot Technology Co., Ltd.
 No.399 Danfeng Road, Binjiang District, Hangzhou 310051, China.
 en.hikrobotics.com

Copyright Hikrobot

Hangzhou Hikrobot Technology Co., Ltd. All Rights Reserved. Hangzhou Hikrobot Technology does not tolerate any infringement. Any organization or individual may not imitate or reproduce in whole or in part of the content. The data herein is based on Hikrobot's internal evaluation. Actual data may vary depending on specific configuration and operating condition. The information herein is subject to change without notice All the content has been checked conscientiously. Nevertheless, Hikrobot shall not be liable to damages resulting from errors, inconsistencies or omissions.