

MVL-MF5028M-5MPE

2/3" 50mm 5MP FA LENS

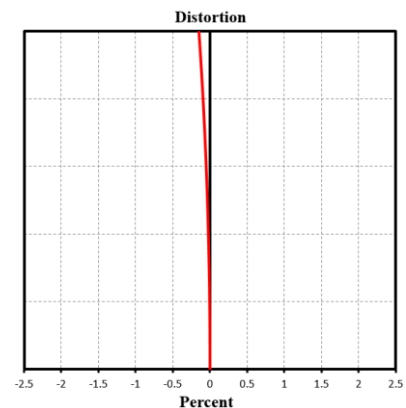
MF-E series FA Lens are optimized for machine vision light sources and sensors, with high resolution, excellent image uniformity, high transmittance and good stability. Featured with fixed focal length, manual aperture and compact size, it is suitable for machine vision industry applications.



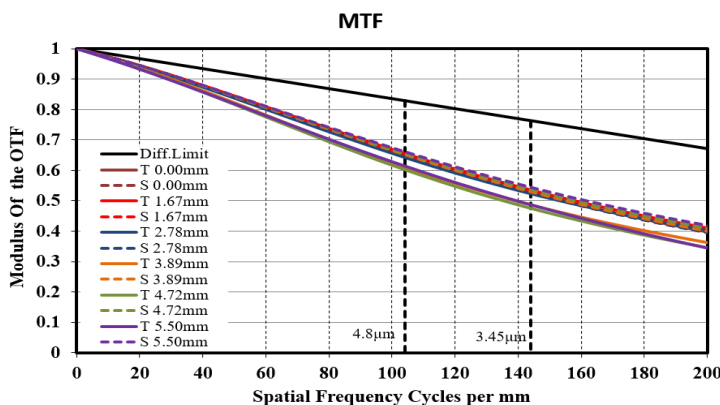
Key Feature

- High resolution and consistency of image clarity
- Lower distortion and higher relative illumination rate
- Achromatic optical system design and better imaging performance with color camera
- Excellent performance at high and low temperature
- Good optical performance at ultra-short working distance

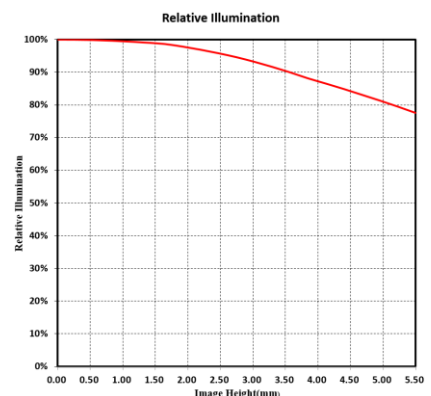
Distortion



MTF



Relative Illumination



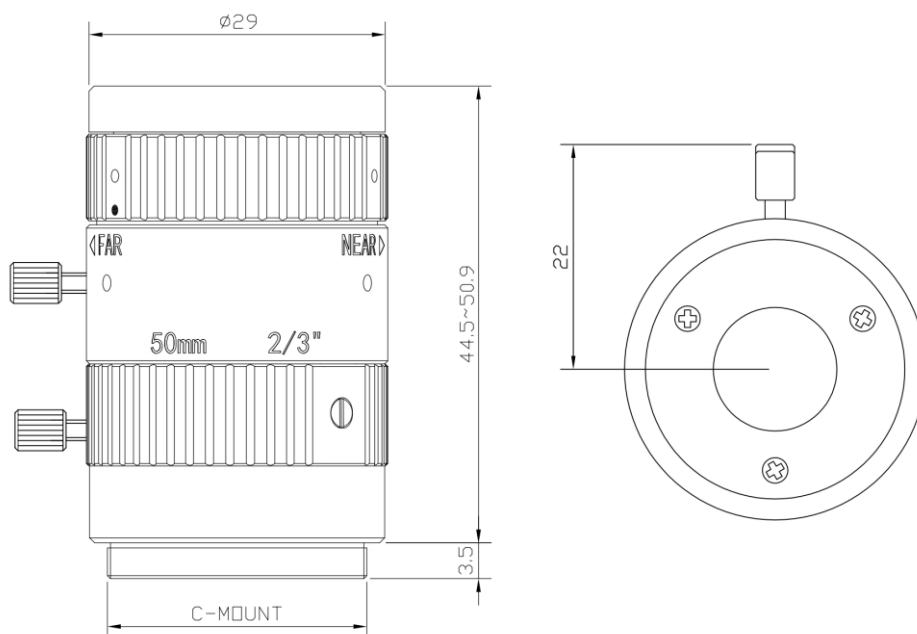
Note: The above curves are the simulate results based on F2.8, $\beta=-0.126$, WD=400 mm



Specification

Model	MVL-MF5028M-5MPE
Performance	
Focal length	50 mm
F-number	F2.8 to F16
Image size	Φ11 mm (2/3")
Distortion	0.08%
Min. object distance	0.4 m
Field of view	D (11.1 mm): 12.83° H (8.45 mm): 9.86° V (7.07 mm): 8.26°
Mechanical	
Iris control	Manual
Focus control	Manual
Filter thread	M27 × 0.5
Mount	C-Mount
Flange back length	17.526 mm
Dimension	Φ29 × 44.5 mm to 50.9 mm
Weight	80.9 g
Temperature	-10 °C to 50 °C (14 °F to 122 °F)
General	
Certification	RoHS 2.0

Dimension



Unit: mm

Field of View

Extension (mm)	Working Distance (mm)		Magnification	Field of View (mm)					
				2/3"		1/1.8"		1/2"	
				H (8.45mm)	V (7.07mm)	H (7.38mm)	V (4.92mm)	H (6.22mm)	V (4.67mm)
30	Near	81.6	-0.751	11.2	9.4	9.8	6.5	8.3	6.2
	Far	93.6	-0.632	13.3	11.2	11.7	7.8	9.8	7.4
25	Near	91.9	-0.647	13.0	10.9	11.4	7.6	9.6	7.2
	Far	108.5	-0.528	16.0	13.4	14.0	9.3	11.8	8.8
20	Near	106.0	-0.543	15.5	13.0	13.6	9.0	11.4	8.6
	Far	130.8	-0.424	19.9	16.6	17.4	11.6	14.7	11.0
15	Near	126.9	-0.439	19.2	16.1	16.8	11.2	14.2	10.6
	Far	167.6	-0.320	26.4	22.1	23.1	15.4	19.4	14.6
10	Near	160.9	-0.335	25.2	21.1	22.0	14.7	18.6	13.9
	Far	240.5	-0.215	39.2	32.8	34.3	22.8	28.9	21.7
5	Near	225.9	-0.230	36.7	30.6	32.0	21.3	27.0	20.3
	Far	452.0	-0.111	76.4	63.9	66.7	44.5	56.2	42.2
2	Near	304.1	-0.168	50.4	42.1	44.0	29.3	37.1	27.8
	Far	1027.6	-0.048	177.4	148.4	155.0	103.4	130.7	98.1
1	Near	345.1	-0.147	57.6	48.2	50.3	33.5	42.4	31.8
	Far	1825.4	-0.027	317.3	265.6	277.9	185.4	234.4	176.1
0		400	-0.126	67.2	56.2	58.7	39.1	49.5	37.1
		450	-0.111	76.0	63.6	66.4	44.2	55.9	42.0
		500	-0.100	84.8	70.9	74.1	49.4	62.4	46.9
		550	-0.090	93.6	78.3	81.7	54.5	68.9	51.7
		600	-0.083	102.4	85.6	89.4	59.6	75.3	56.6
		650	-0.076	111.1	93.0	97.1	64.7	81.8	61.4
		700	-0.071	119.9	100.3	104.7	69.8	88.3	66.3
		800	-0.062	137.4	115.0	120.1	80.0	101.2	76.0
		900	-0.055	155.0	129.7	135.4	90.3	114.1	85.7
		1000	-0.049	172.5	144.4	150.7	100.5	127.0	95.4

HIKROBOT

Hangzhou Hikrobot Co. Ltd.
en.hikrobotics.com

© Hangzhou Hikrobot Co., Ltd. All Rights Reserved.

Hangzhou Hikrobot does not tolerate any infringement. Any organization or individual may not imitate or reproduce in whole or in part of the content. The data herein is based on Hikrobot's internal evaluation. Actual data may vary depending on specific configuration and operating condition. The information herein is subject to change without notice. All the content has been checked conscientiously. Nevertheless, Hikrobot shall not be liable to damages resulting from errors, inconsistencies or omissions.