

MVL-MF5028M-8MP
2/3" 50mm 8MP FA LENS

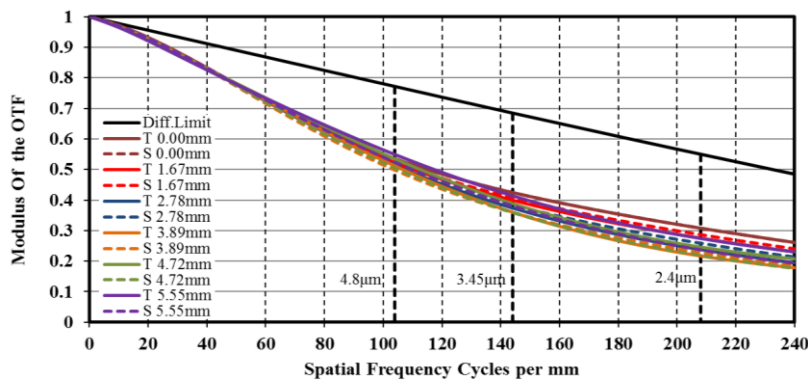
MF series FA series Lens are optimized for machine vision light sources and sensor, with high resolution, excellent image quality, high transmittance and good stability. Featured with fixed focal length, manual aperture and compact size, it is suitable for machine vision industry applications and ideal for industrial cameras.



Key Features

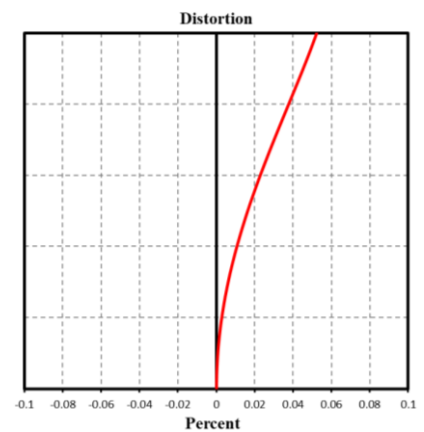
- Ultra-high resolution and consistency of image clarity
- Ultra-low distortion and higher relative illumination
- Achromatic optical system design, better image performance with color camera
- Supports ultra-short working distance with good optical performance
- Compact design, excellent vibration resistance and high and low temperature performance

MTF

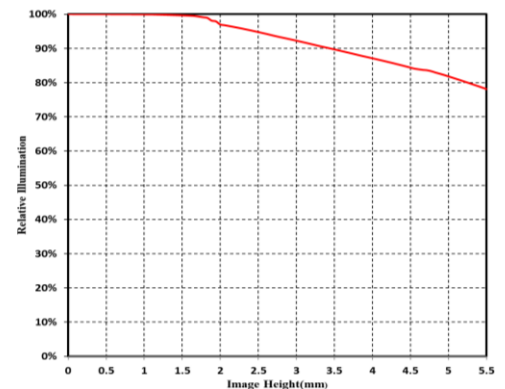


Note: The above curves are the simulate results based on F2.8, $\beta=-0.076$, WD=700 mm.

Distortion



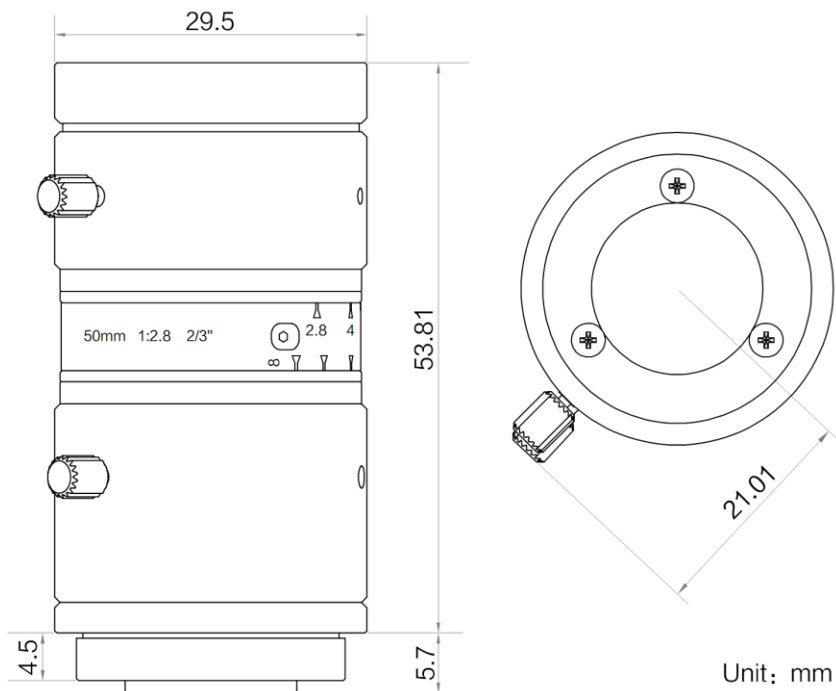
Relative Illumination



Specification

Parameter	Model	MVL-MF5028-8MP
		Fixed focal length, Manual iris, 8MP, FA Lens
Performance		
Focal Length		50 mm
F-Number		F2.8 ~ F16
Image Size		Φ11 mm(2/3")
Distortion		0.01%
Minimum Object Distance		0.4 m
Field of View		D (11.1 mm) : 11.67° H (8.45 mm) : 8.81° V (7.07 mm) : 7.38°
Mechanical		
Iris Control		Manual
Focus Control		Manual
Filter Thread		M27 × 0.5
Mount		C-Mount
Flange Back Length		17.526 mm
Dimension		Φ29 × 53.81 mm
Weight		75.5 g
Temperature		-10 ~ 50°C
General		
Certification		RoHS2.0

Dimension



Field of View

Extension (mm)	Working Distance (mm)		Magnification	Field of View (mm)					
				2/3"		1/1.8"		1/2"	
				H (8.45mm)	V (7.07mm)	H (7.38mm)	V (4.92mm)	H (6.22mm)	V (4.67mm)
20	near	128.74	-0.540	15.65	13.09	13.66	9.11	11.52	8.65
	far	154.43	-0.401	21.10	17.65	18.43	12.28	15.53	11.66
10	near	183.20	-0.340	24.85	20.79	21.70	14.47	18.29	13.73
	far	279.00	-0.201	42.14	35.26	36.81	24.54	31.02	23.29
5	near	244.40	-0.240	35.19	29.45	30.74	20.49	25.91	19.45
	far	527.10	-0.101	84.08	70.35	73.43	48.96	61.89	46.47
2	near	313.80	-0.180	46.92	39.26	40.98	27.32	34.54	25.93
	far	1264.20	-0.041	208.64	174.57	182.22	121.48	153.58	115.31
1	near	348.50	-0.160	52.78	44.16	46.10	30.73	38.85	29.17
	far	2468.60	-0.021	412.20	344.88	360.00	240.00	303.41	227.80
0		400	-0.140	60.32	50.47	52.68	35.13	44.41	33.34
		450	-0.123	68.93	57.68	60.20	40.14	50.75	38.10
		500	-0.109	77.51	64.86	67.70	45.14	57.06	42.85
		550	-0.098	86.06	72.01	75.17	50.12	63.36	47.57
		600	-0.089	94.60	79.16	82.63	55.09	69.64	52.29
		650	-0.082	103.11	86.28	90.07	60.05	75.92	57.00
		700	-0.076	111.63	93.41	97.51	65.01	82.19	61.71
		750	-0.070	120.13	100.52	104.93	69.96	88.45	66.41
		800	-0.066	128.63	107.64	112.35	74.91	94.70	71.11
		850	-0.062	137.13	114.75	119.78	79.86	100.96	75.80
		900	-0.058	145.62	121.85	127.19	84.80	107.21	80.42
		950	-0.055	154.10	128.95	134.60	89.74	113.45	85.18
	1000	-0.052	162.58	136.04	142.00	94.68	119.69	89.87	

HIKROBOT

Hangzhou Hikrobot Co. Ltd.
en.hikrobotics.com

© Hangzhou Hikrobot Co., Ltd. All Rights Reserved.

Hangzhou Hikrobot does not tolerate any infringement. Any organization or individual may not imitate or reproduce in whole or in part of the content. The data herein is based on Hikrobot's internal evaluation. Actual data may vary depending on specific configuration and operating condition. The information herein is subject to change without notice. All the content has been checked conscientiously. Nevertheless, Hikrobot shall not be liable to damages resulting from errors, inconsistencies or omissions.