



IP68 Waterproof Metal Standalone Access Control Keypad with RFID Reader

Model: NAS-111KEM-W

Main Features:

- ✧ IP68 waterproof rating for reliable outdoor use;
- ✧ Anti-vandal metal construction ensures durability;
- ✧ 2,000-user capacity with Card/PIN/Card+PIN access modes;
- ✧ Wiegand 26 input/output for integration with external access control systems;
- ✧ Supports full keypad programming for standalone operation;
- ✧ Adjustable door opening time from 0–99 seconds;
- ✧ LED status indicators and backlit keypad for easy operation;
- ✧ Compatible with EM card type for flexible deployment.

I/O Interfaces

Wiegand	Wiegand 26 input and output
Wiring Connections	Electric lock, exit button, external alarm

Access Control Performance

User Capacity	2,000 users
Access Modes	Card, PIN, Card + PIN
Card Type	EM
Card Reading Distance	Approx. 3 to 6 cm
Door Opening Time	0 to 99 s (adjustable)
Programming	Full keypad programming (standalone mode)
Operation Speed	< 20 ms (with 2,000 users)

Electrical & Power

Operating Voltage	DC 12 V \pm 10%
Active Current	< 60 mA
Idle Current	35 \pm 5 mA
Lock Output Load	\leq 1 A

Protection

Ingress Protection	IP68
Vandal-proof Rating	IK10
Lock Output Short-Circuit Protection	Yes

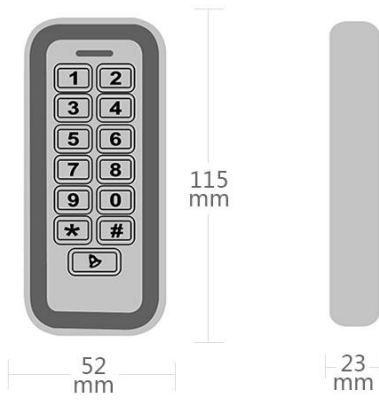
Environment

Operating Temperature	-45°C to 60°C
Operating Humidity	RH 10% to 90% (non-condensing)
Storage Temperature	-45°C to 70°C
Storage Humidity	RH 5% to 95% (non-condensing)

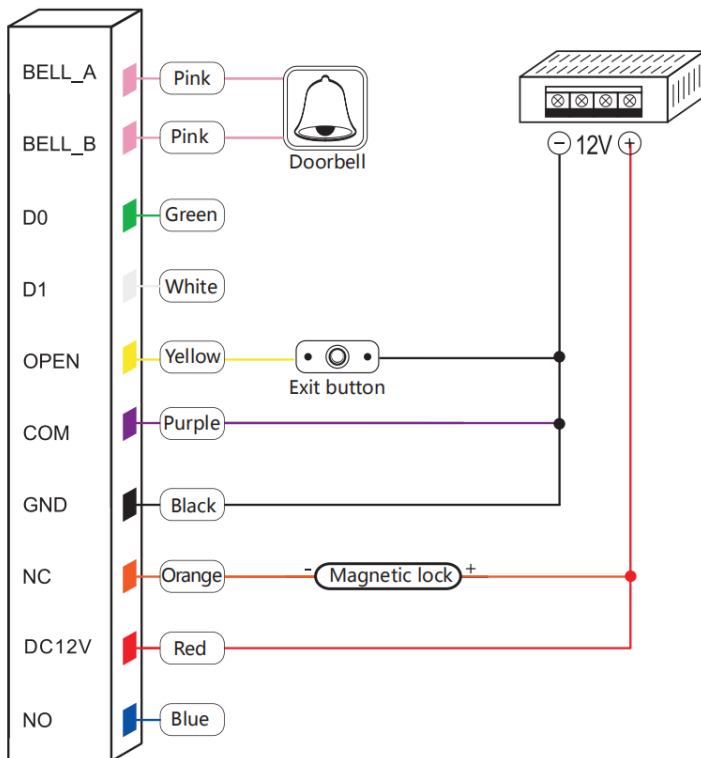
General

Keypad Shell Material	Zinc Alloy
LED Indicators	Red, Orange, Green for status
Backlight	Blue keypad illumination
Dimension	52 x 115 x 23 mm (WxHxD)
Net Weight	0.25 kg
Gross Weight	0.38 kg
Package List	1 \times Keypad 1 \times User Manual (English) 2 \times Rubber Plugs (\varnothing 6 \times 30 mm, for fixing) 2 \times Self-Tapping Screws (\varnothing 4 \times 28 mm, for fixing) 1 \times Diode (1N4007)

Dimension (unit: mm)



Standard Power Supply Wiring Diagram



Access Control Power Supply Wiring Diagram

