



## IP68 Waterproof Metal Standalone Access Control Keypad with RFID Reader

Model: NAS-111KMF-W

### Main Features:

- ✧ IP68 waterproof rating for reliable outdoor use;
- ✧ Anti-vandal metal construction ensures durability;
- ✧ 2,000-user capacity with Card/PIN/Card+PIN access modes;
- ✧ Wiegand 26 input/output for integration with external access control systems;
- ✧ Supports full keypad programming for standalone operation;
- ✧ Adjustable door opening time from 0–99 seconds;
- ✧ LED status indicators and backlit keypad for easy operation;
- ✧ Compatible with MF card types for flexible deployment.

### I/O Interfaces

Wiegand	Wiegand 26 input and output
Wiring Connections	Electric lock, exit button, external alarm

### Access Control Performance

User Capacity	2,000 users
Access Modes	Card, PIN, Card + PIN
Card Type	MF
Card Reading Distance	Approx. 3 to 6 cm
Door Opening Time	0 to 99 s (adjustable)
Programming	Full keypad programming (standalone mode)
Operation Speed	< 20 ms (with 2,000 users)

### Electrical & Power

Operating Voltage	DC 12 V ± 10%
Active Current	< 60 mA

Idle Current	35±5 mA
--------------	---------

Lock Output Load	≤ 1 A
------------------	-------

## Protection

Ingress Protection	IP68
--------------------	------

Vandal-proof Rating	IK10
---------------------	------

Lock Output Short-Circuit Protection	Yes
--------------------------------------	-----

## Environment

Operating Temperature	-45°C to 60°C
-----------------------	---------------

Operating Humidity	RH 10% to 90% (non-condensing)
--------------------	--------------------------------

Storage Temperature	-45°C to 70°C
---------------------	---------------

Storage Humidity	RH 5% to 95% (non-condensing)
------------------	-------------------------------

## General

Keypad Shell Material	Zinc Alloy
-----------------------	------------

LED Indicators	Red, Orange, Green for status
----------------	-------------------------------

Backlight	Blue keypad illumination
-----------	--------------------------

Dimension	52 x 115 x 23 mm (WxHxD)
-----------	--------------------------

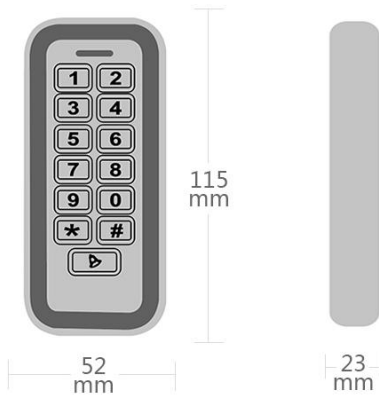
Net Weight	0.25 kg
------------	---------

Gross Weight	0.38 kg
--------------	---------

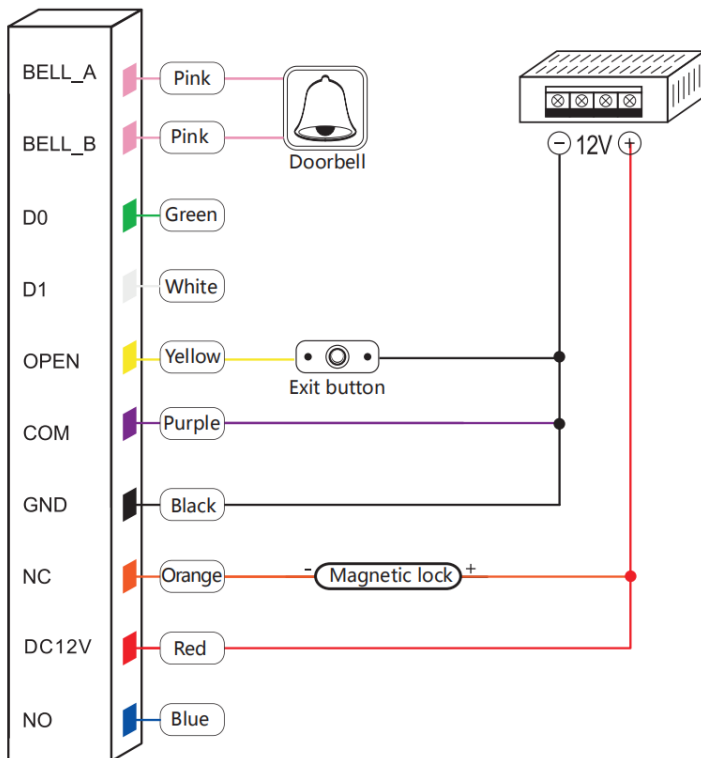
Package List	1× Keypad 1× User Manual (English) 2× Rubber Plugs (∅6×30 mm, for fixing) 2× Self-Tapping Screws (∅4×28 mm, for fixing) 1× Diode (1N4007)
--------------	---

Dimension

(unit: mm)



Standard Power Supply Wiring Diagram



### Access Control Power Supply Wiring Diagram

