

Bright Uniform Ring Lights **OPT-RIP Series**



Product Features

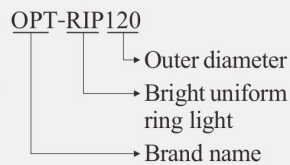
Main Features

- Use high hazy diffuser able to provide high-intensity and shadowless illumination effect.

Application Cases

- Electronic components surface inspection
- Dirt detection on cylindrical inner surfaces

Selection Guide



Customizable Items



Color



Mounting

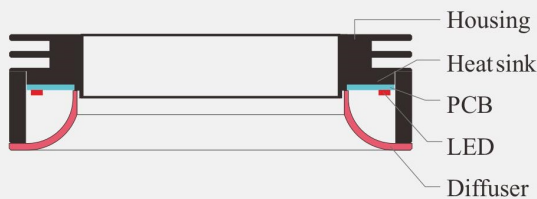


Size

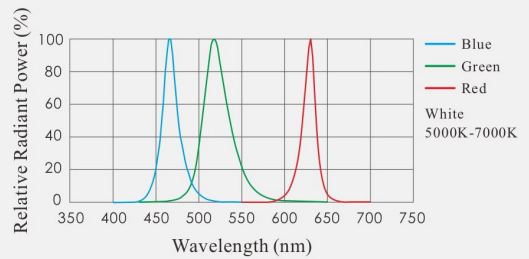


Zoned control

Section Structure Drawing



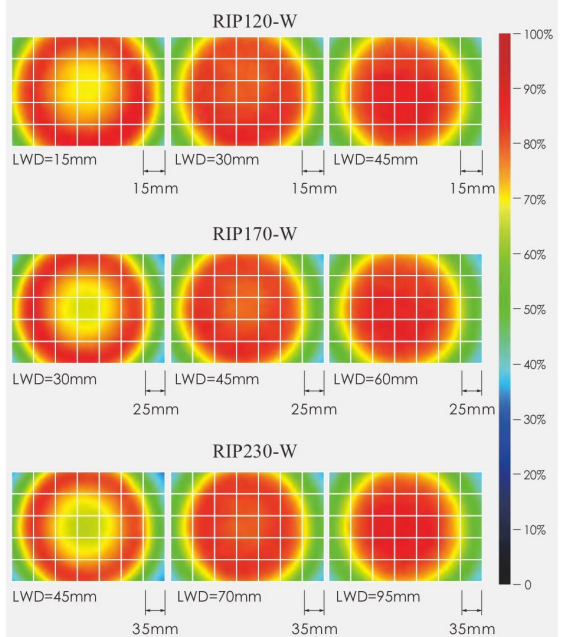
Spectrum Chart



Note: The data is for reference only.

Series features

Relative Radiant Power Distribution



Note: The data is for reference only.

Application Cases

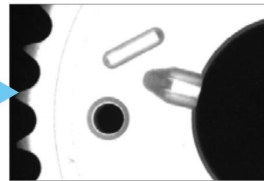
■ Gear surface inspection



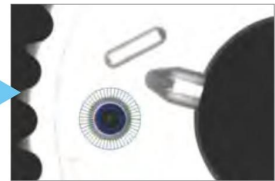
Workpiece



Illumination



Image



SciSmart Analysis Result

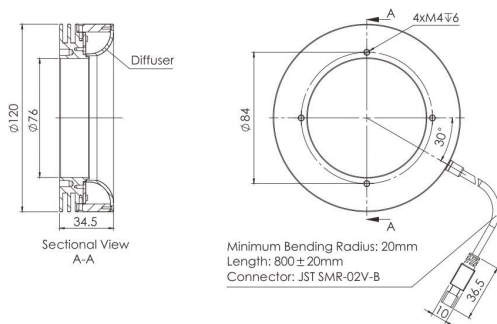
Model Table

No.	Model	* Input ●	* Input ●	* Input ●	* Input ●	Recommended controller
1	OPT-RIP120	13W@24V	13.4W@24V	9.6W@24V	11.6W@24V	OPT-DPA2024E
2	OPT-RIP170	19.9W@24V	20.6W@24V	17W@24V	15.1W@24V	
3	OPT-RIP230	26W@24V	27.4W@24V	22.3W@24V	20.4W@24V	

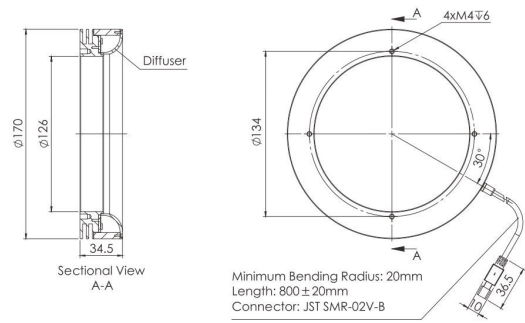
* Note: The data is for reference only.

Dimensions (mm)

1. OPT-RIP120



2. OPT-RIP170



3. OPT-RIP230

