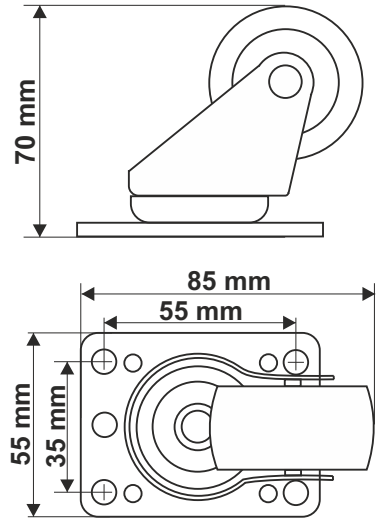
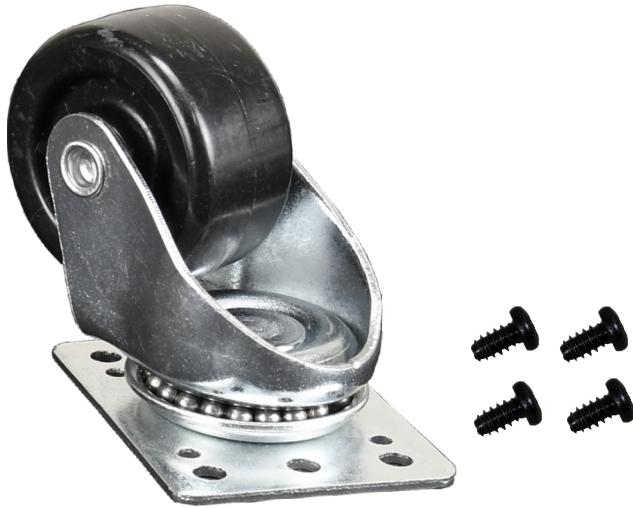


CODE:  
NAME:

**RAK v1.1/V**  
**Caster 2" without brake for floor standing cabinet**

EN



### DESTINATION

The caster for floor standing RACK cabinets. The set of 4 casters enables easy moving of the cabinet.

### TECHNICAL DATA

**Dimensions:** W=55, H=70, D=85 [mm, +/-2], Ø=2"

**Net/gross weight:** 0,13 / 0,20 [kg]

**Material:**  
- 2mm cold-rolled steel (SPCC)  
- caster 2" - plastic

**Load:** 150 kg

**Destination:** inside

**Warranty:** 2 years

**Notes:**  
- bolted to the bottom panel of the cabinet  
- 4 screws included