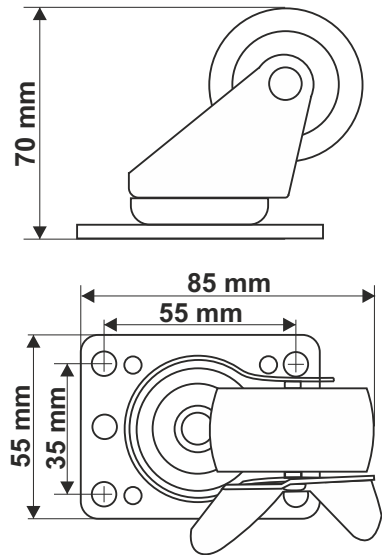
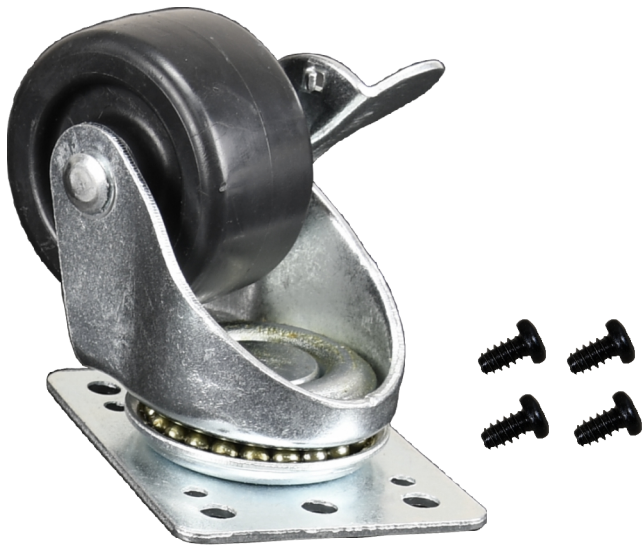


CODE: **RAKB** v1.1/V EN
 NAME: **Caster 2" with brake for floor standing cabinet**



DESTINATION

The caster for floor standing RACK cabinets. The set of 4 casters enables easy moving of the cabinet and locking it in the selected position.

TECHNICAL DATA

Dimensions:	W=55, H=70, D=85 [mm, +/-2], Ø=2"
Net/gross weight:	0,13 / 0,14 [kg]
Material:	- 2mm cold-rolled steel (SPCC) - caster 2" - plastic
Load:	150 kg
Destination:	inside
Warranty:	2 years
Notes:	- bolted to the bottom panel of the cabinet - 4 screws included