







EN

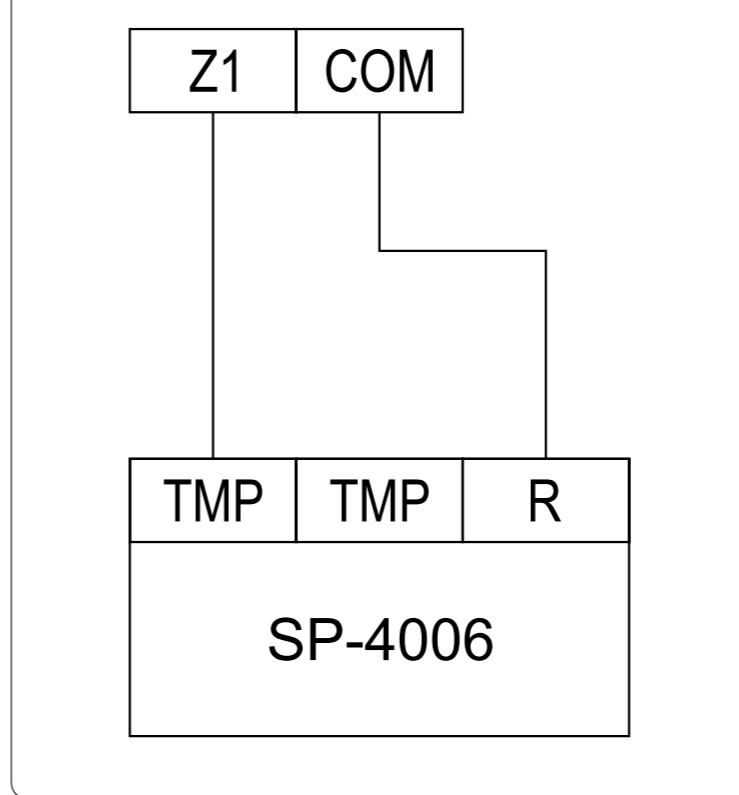
Siren configuration pins table with columns for pin type (MLD, MLI, TMO, TMI, O+A) and siren mode (jumper on/off).

J6 and J7 pin configurations for PLO and PLA modes, detailing voltage control and common ground connections.

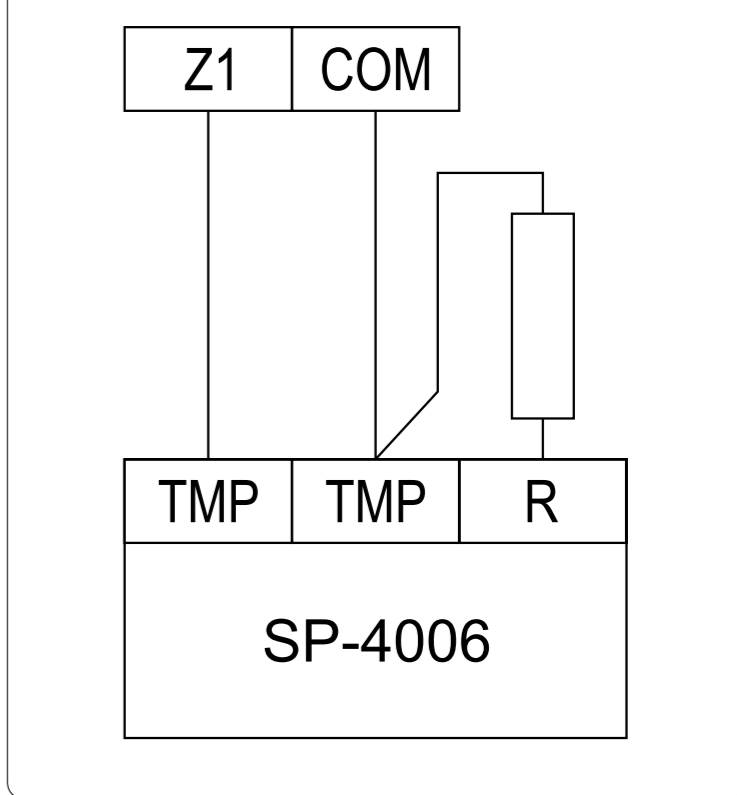
LED (only SP-4006 O and SP-4006 R) section explaining LED enable/disable settings.

Enclosure base section with mounting instructions, terminal identification (Z1, COM, TMP, R), and a 15-step installation and start-up procedure.

2



3



FR

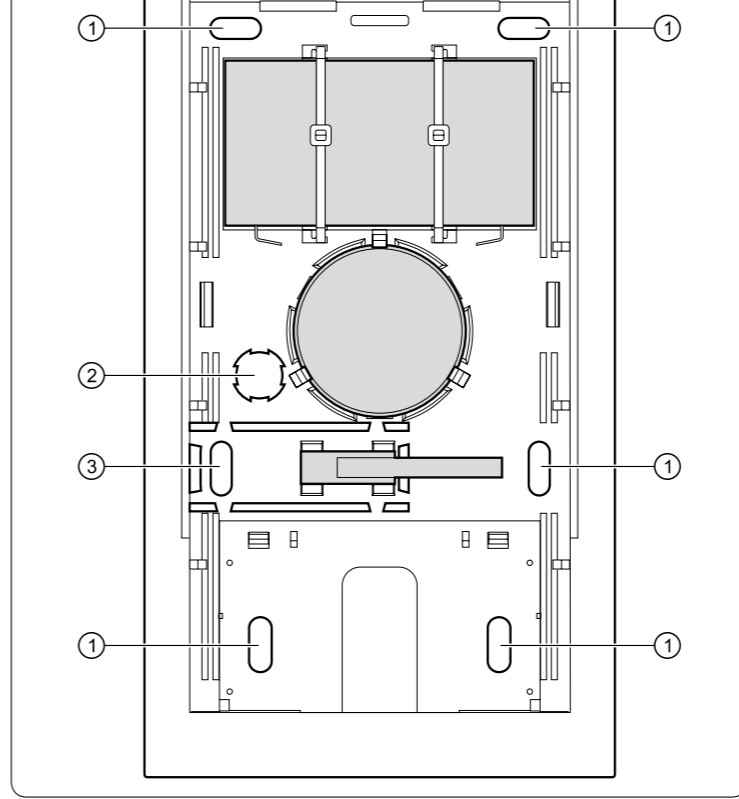
Broches pour la configuration de la sirène table with columns for pin type (MLD, MLI, TMO, TMI, O+A) and siren mode (broche fermée/ouverte).

J6 and J7 pin configurations for PLO and PLA modes in French.

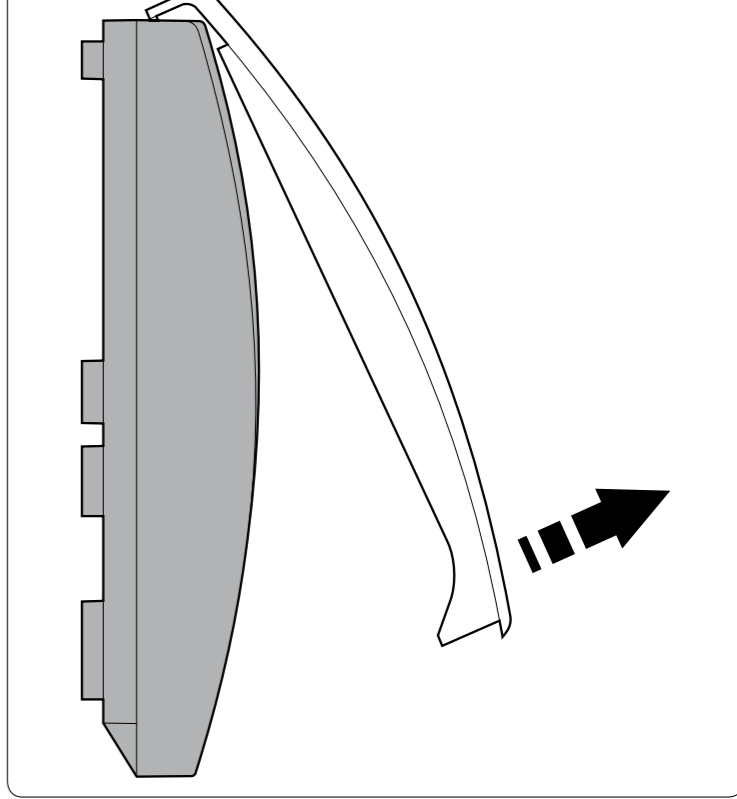
LED (uniquement SP-4006 O et SP-4006 R) section in French.

Embase du boîtier section in French with mounting instructions and a 15-step installation and start-up procedure.

4



5



NL

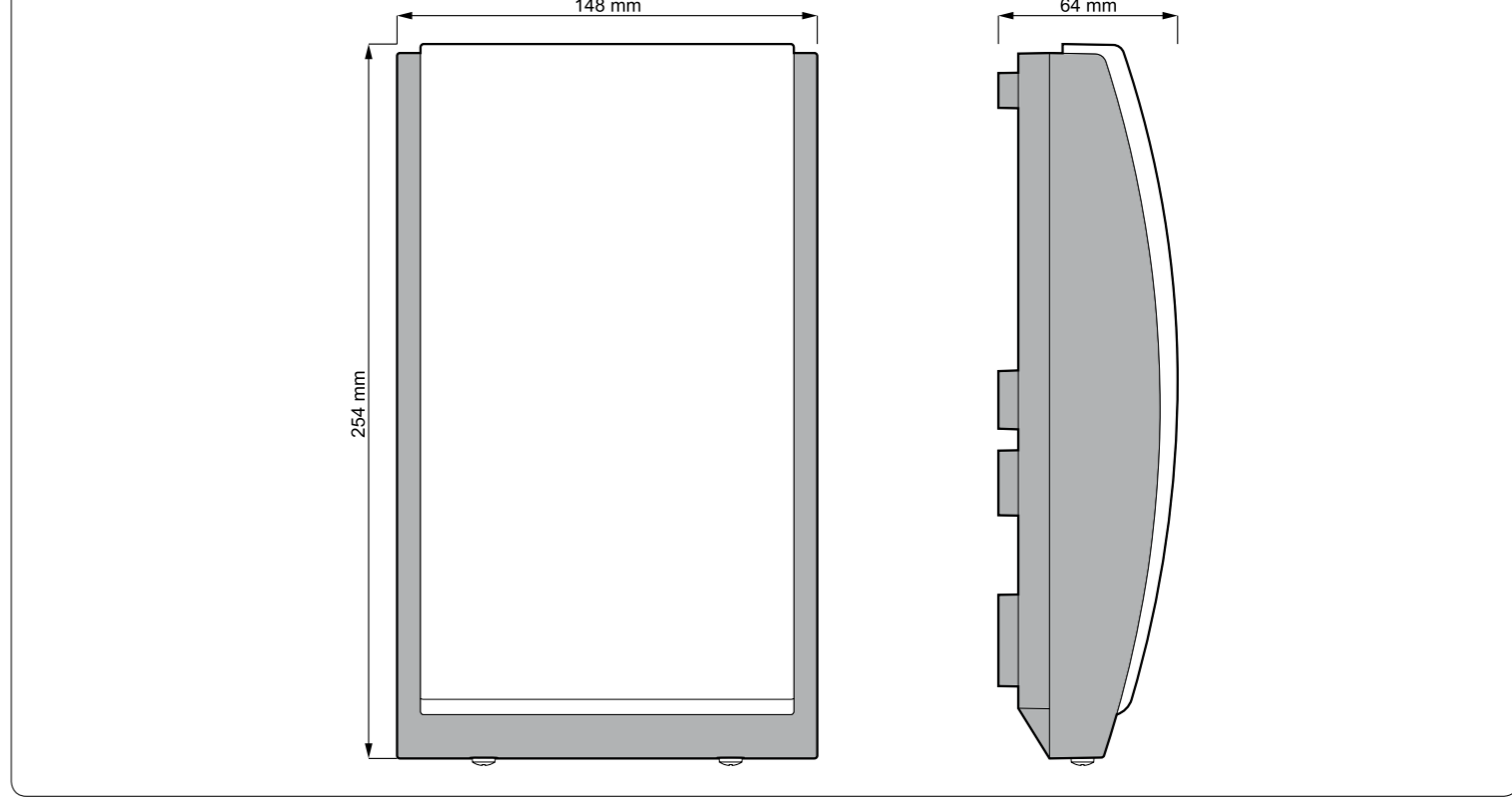
Sirene configuratie jumper table with columns for pin type (MLD, MLI, TMO, TMI, O+A) and siren mode (jumper aan/uit).

J6 and J7 pin configurations for PLO and PLA modes in Dutch.

LED (alleen SP-4006 O en SP-4006 R) section in Dutch.

Behuizing basis section in Dutch with mounting instructions and a 15-step installation and start-up procedure.

6



IT

Configurazione ponticelli table with columns for pin type (MLD, MLI, TMO, TMI, O+A) and siren mode (jumper on/off).

J6 and J7 pin configurations for PLO and PLA modes in Italian.

LED (solo SP-4006 O e SP-4006 R) section in Italian.

Base section in Italian with mounting instructions and a 15-step installation and start-up procedure.

SATEL ITALIA SRL contact information and website details.

ES

Pins para configurar la sirena table with columns for pin type (MLD, MLI, TMO, TMI, O+A) and siren mode (jumper colocado/quitado).

J6 and J7 pin configurations for PLO and PLA modes in Spanish.

LED (únicamente SP-4006 O y SP-4006 R) section in Spanish.

Base de la caja section in Spanish with mounting instructions and a 15-step installation and start-up procedure.

GR

Βραχυκυκλώηρες για διαμόρφωση σειρήνας table with columns for pin type (MLD, MLI, TMO, TMI, O+A) and siren mode (βραχυκυκλώηρας ενεργός/ανενεργός).

J6 and J7 pin configurations for PLO and PLA modes in Greek.

LED (μόνο SP-4006 O και SP-4006 R) section in Greek.

Βάση περιβλήματος section in Greek with mounting instructions and a 15-step installation and start-up procedure.

HU

Szirena beállító érintkezők table with columns for pin type (MLD, MLI, TMO, TMI, O+A) and siren mode (rövidzár fenn/le).

J6 and J7 pin configurations for PLO and PLA modes in Hungarian.

LED (csak SP-4006 O és SP-4006 R) section in Hungarian.

Ház hátdoboz section in Hungarian with mounting instructions and a 15-step installation and start-up procedure.