

## USB-RS

### USB-RS CONVERTER FOR PROGRAMMING SATEL DEVICES

usb-rs\_en 10/14

The USB-RS converter makes it possible to connect to the computer the SATEL devices provided with the following port:

- RS-232 – PIN5 or RJ type connector,
- RS-232 (TTL) – PIN3 or RJ type connector.

It also allows you to program the SATEL radio controllers.

The converter is delivered with a USB cable.

**Note:** The converter does not allow programming of the CA-64 control panels.

### 1. Description of USB-RS converter

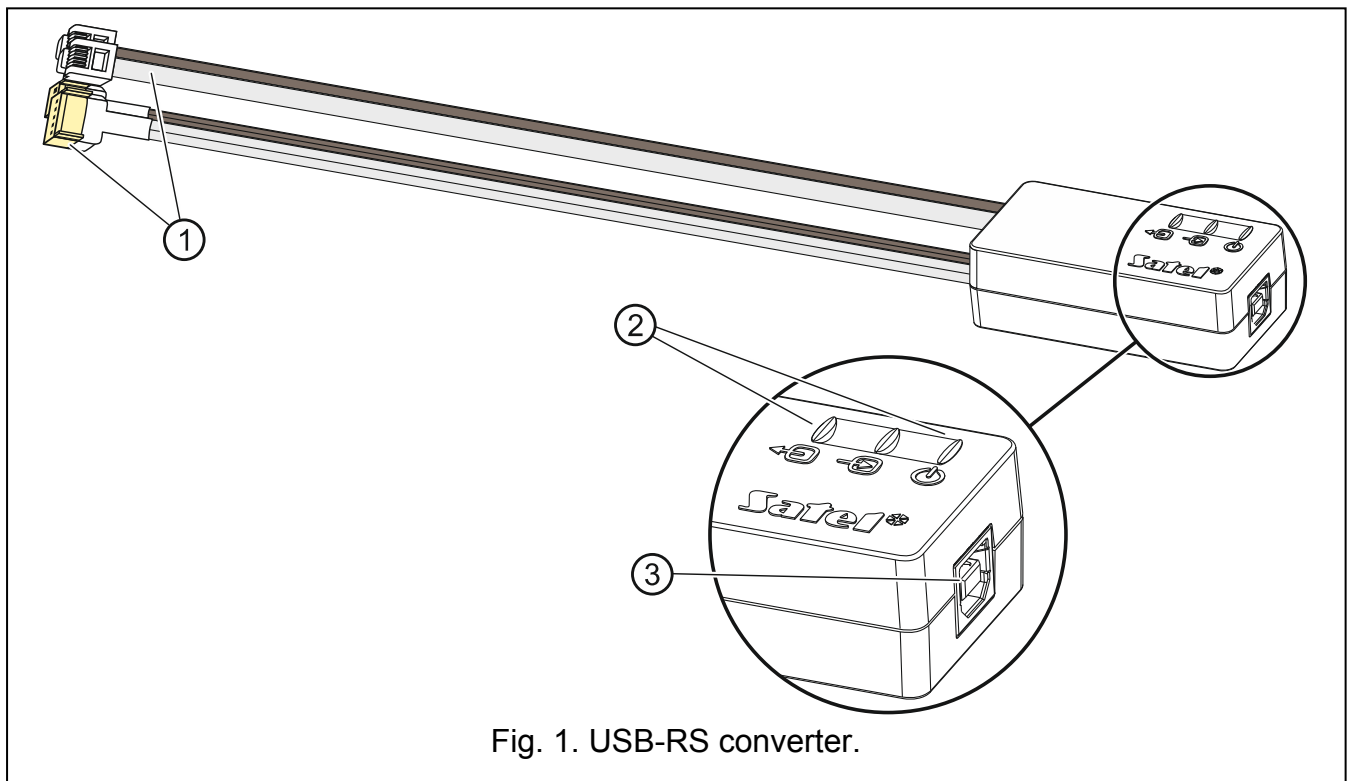


Fig. 1. USB-RS converter.

- ① 4 cables terminated with appropriate plugs; the light ones are to be connected to the RS-232 port, the brown ones – to be connected to the RS-232 (TTL) port.
- ② 3 LEDs:
  - ← ⊞ – blinking indicates data transmission to the module (TX output),
  - ⊞ – blinking indicates data reception from the module (RX input),
  - ⊞ – steady light indicates the presence of power.
- ③ USB type B socket for connecting the converter to the computer.

## 2. Connecting the converter to computer for the first time

1. Connect the computer USB port to the USB type B connector socket using the USB cable included in the delivery set.
2. The Windows system will automatically detect that a new device has been connected and will display a wizard window. The wizard will guide you through the procedure of installation of drivers for the new hardware. Some versions of the Windows operating system may display a warning that the driver has not passed the conformity tests. You may safely ignore these warnings and continue installation of the driver.

### Notes:

- *If the system fails to find the appropriate drivers automatically, download the drivers from the [www.ftdichip.com/Drivers/VCP.htm](http://www.ftdichip.com/Drivers/VCP.htm) website. From the "VCP Drivers" table, select the suitable driver for the system installed on your computer, download the driver and save it onto the hard drive. During the driver installation procedure, indicate the location where the downloaded files are stored. Having completed the installation, restart the computer.*
- *In order to optimize operation of the converter, you can program 1ms for the "Delay time" parameter (instead of the default value of 16 ms) in the advanced settings of the COM port.*
- *If the converter is to be applied for communication with the GUARDX program, you must use the version 1.13 (or newer) of the program.*

## 3. Programming radio controllers

When programming the Satel made radio controllers by means of the computer, use the PIN3/RX adapter. Connect the adapter cables in accordance with the instructions delivered with the controller.



Fig. 2. PIN3/RX adapter, necessary for programming radio controllers.

## 4. Specifications

Length of USB type B cable .....	1.8 m
Converter dimensions .....	67 x 34 x 21 mm
Weight.....	110 g

**The declaration of conformity may be consulted at [www.satel.eu/ce](http://www.satel.eu/ce)**